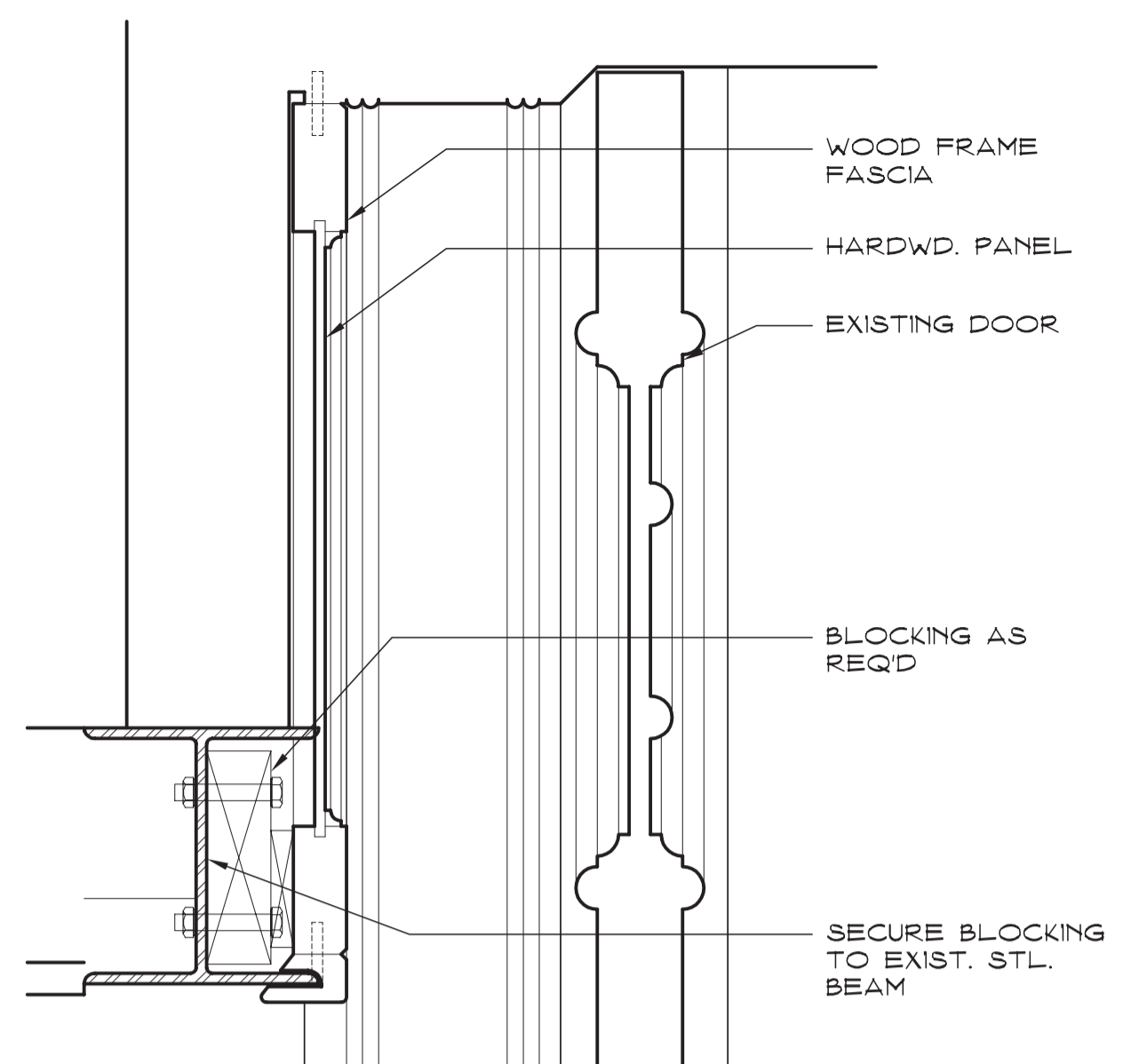
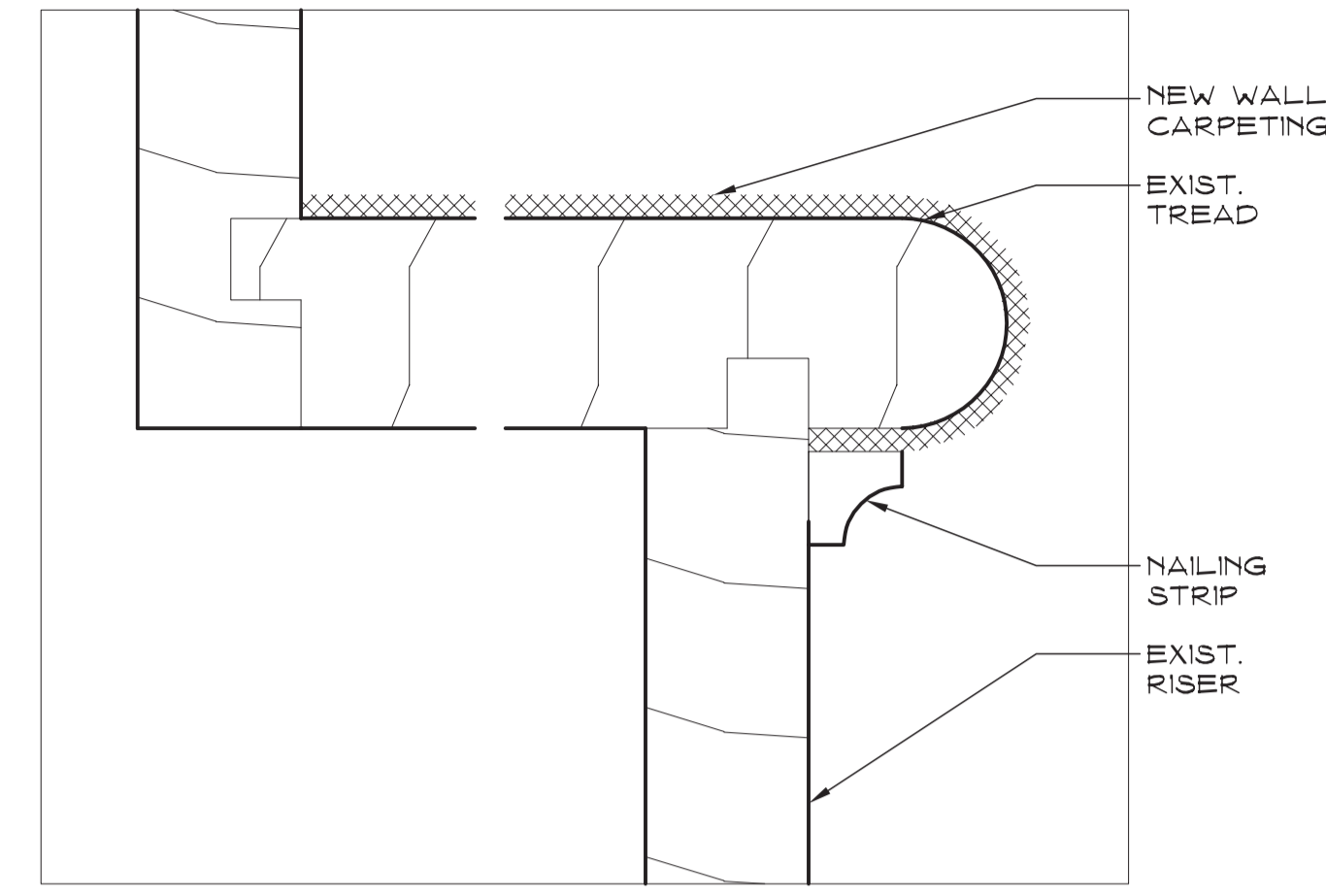


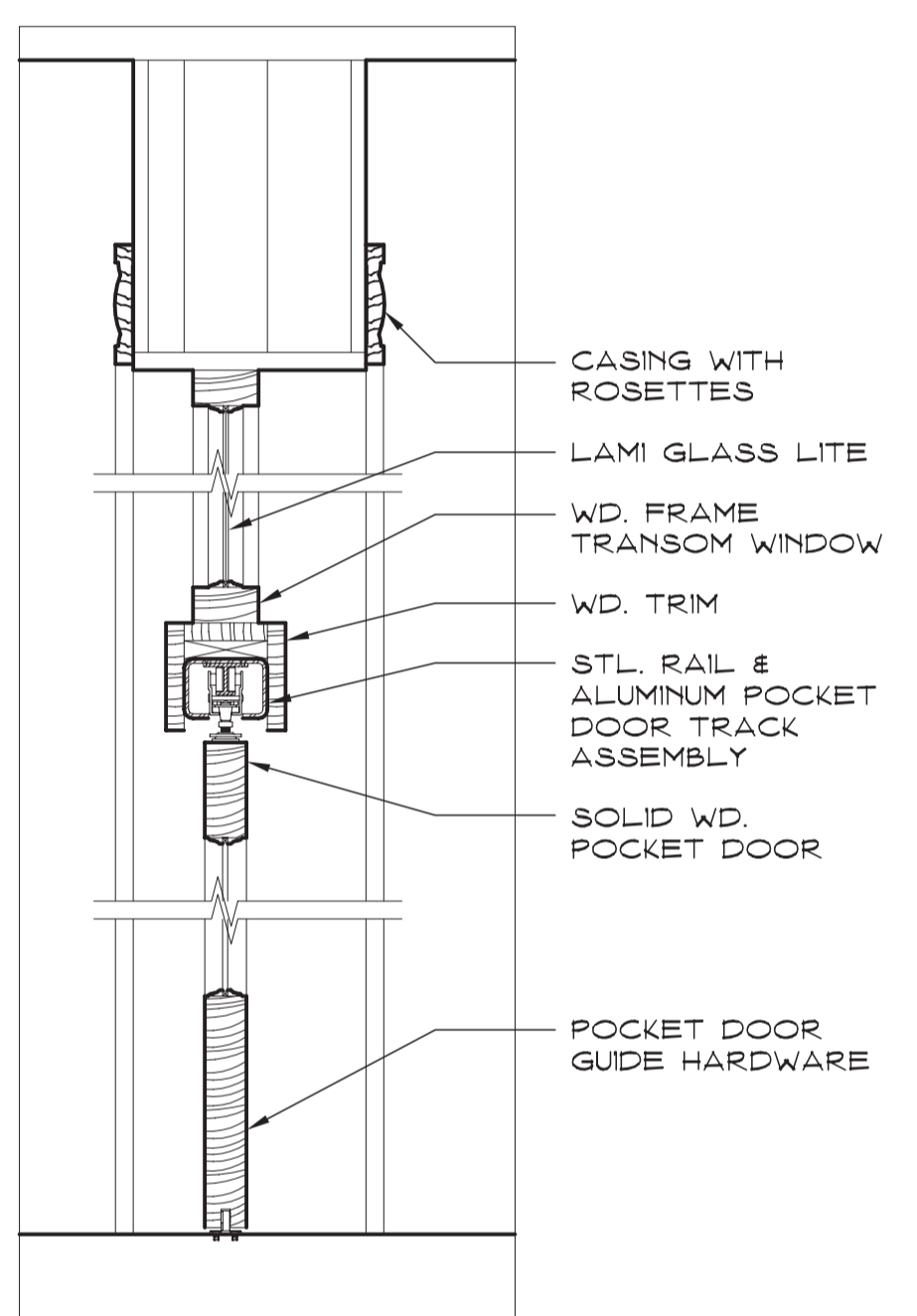
1 CORNERBOX @ BASEMENT, ELEVATIONS
SCALE : 3" = 1'-0"



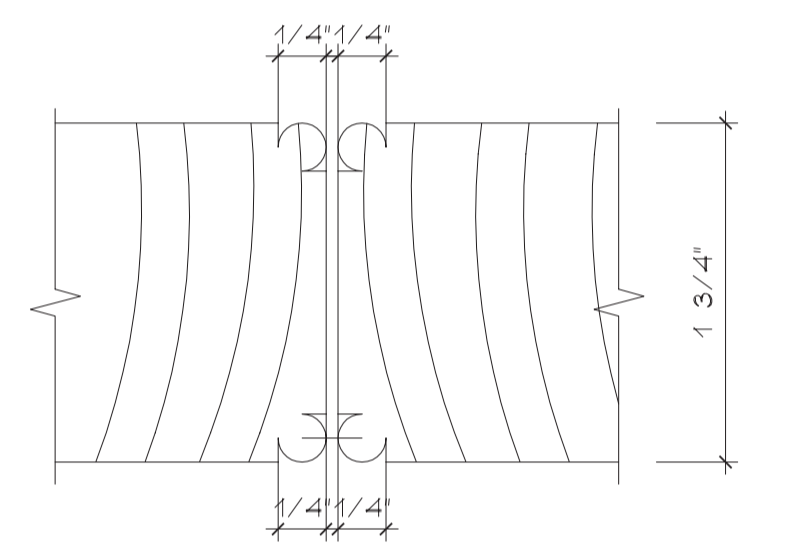
2 DETAIL @ BEAM ENCLOSURE
SCALE : 3" = 1'-0"



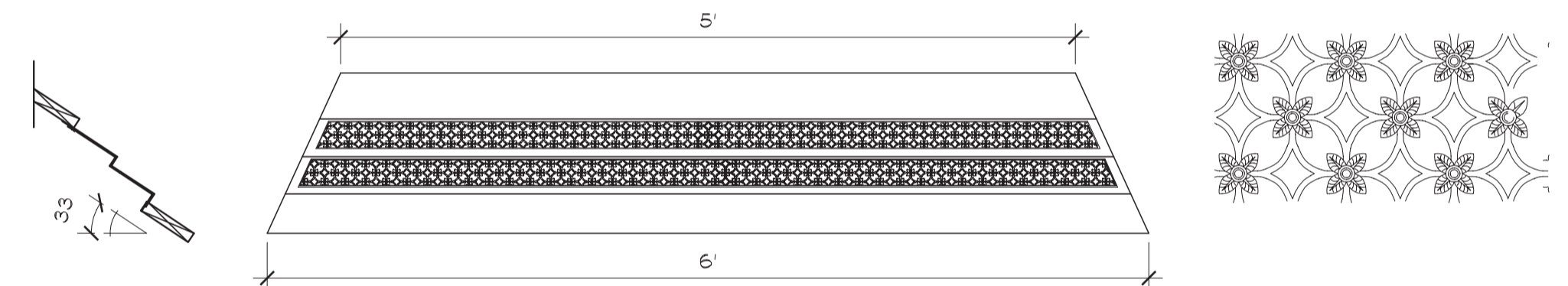
3 SECTION @ DAIS STEPS
SCALE : 1" = 1'-0"



4 POCKET DOOR SECTION
SCALE : 1-1/2" = 1'-0"



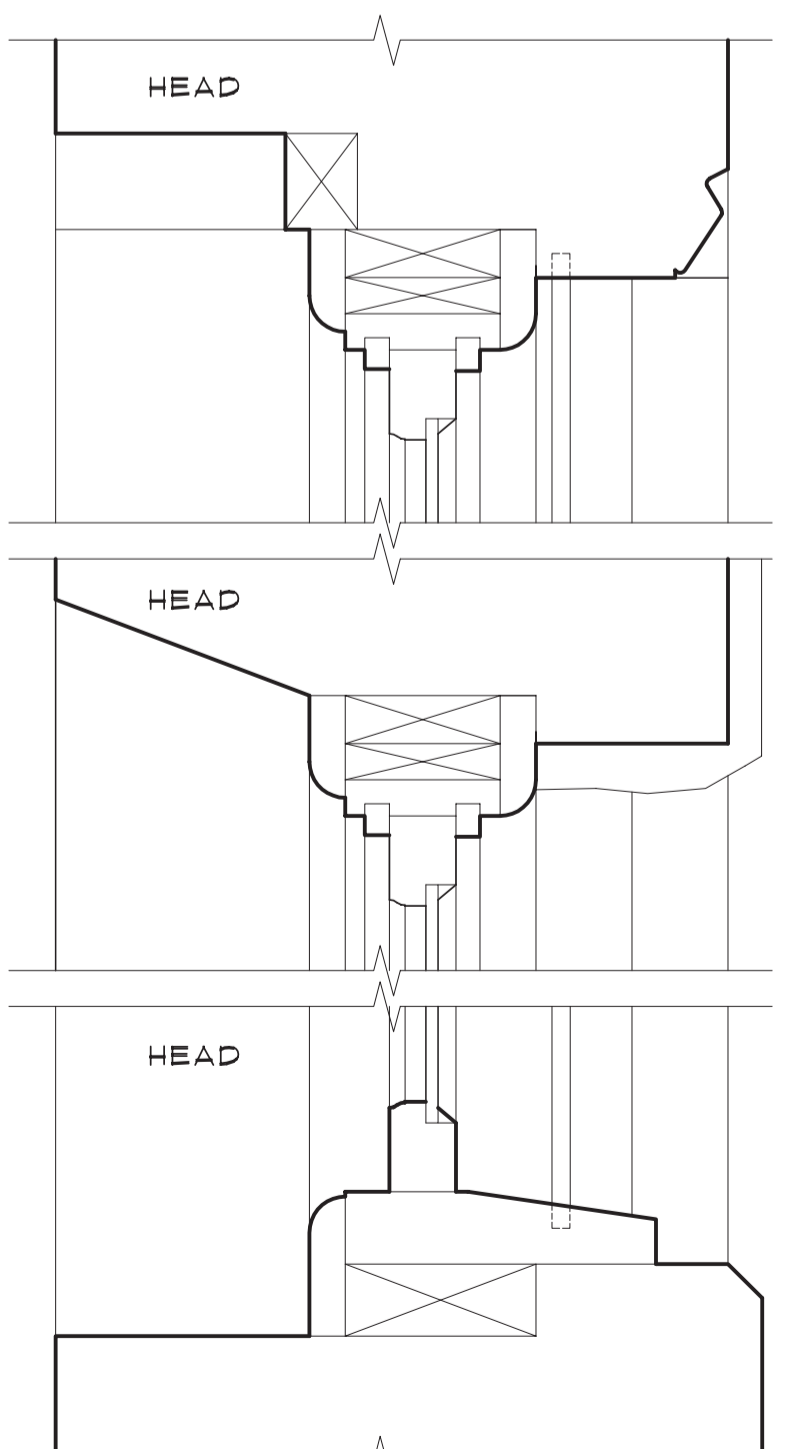
4 CORNER BEAD DETAIL
FULL SCALE



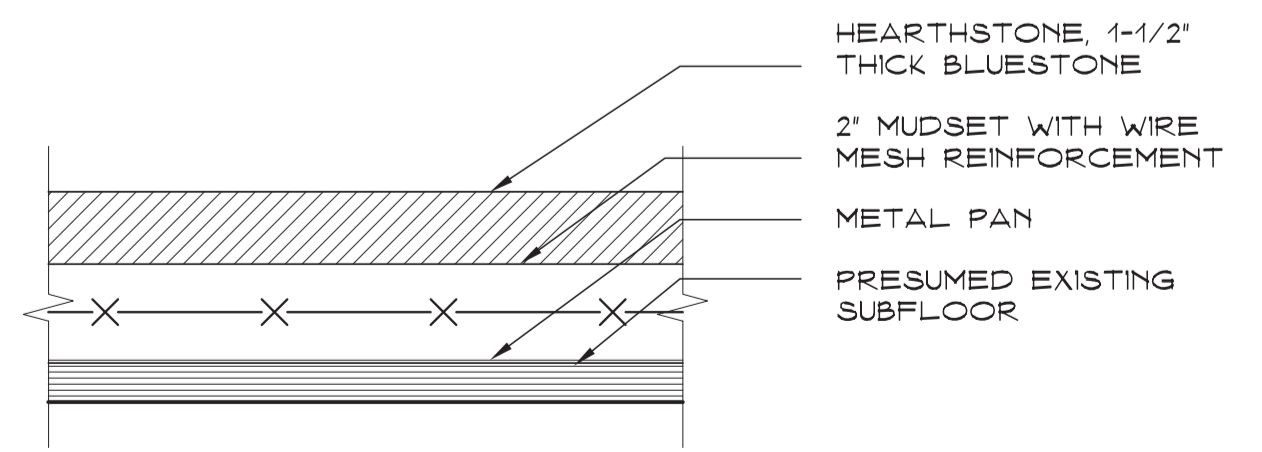
5 SANCTUARY GRILLE DETAIL
SCALE : 1" = 1'-0"



6 CARPET PATTERN DETAIL
SCALE : FULL SCALE



7 DETAILS @ BASEMENT WINDOW
SCALE : 3" = 1'-0"



8 DETAIL @ HEARTHSTONE
SCALE : 3" = 1'-0"



Eldridge Street Synagogue

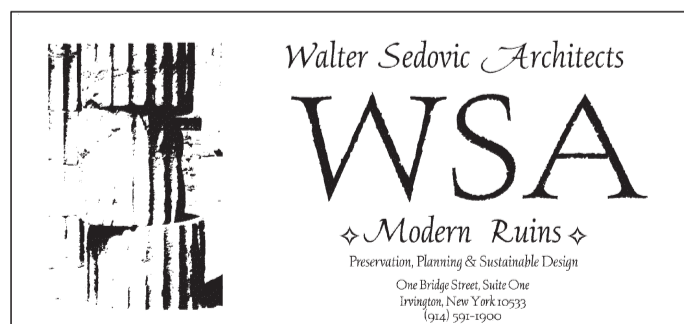
Interior Restoration

Eldridge Street Project
12 Eldridge Street
New York, NY 10002

ISSUED FOR BID

ISSUED FOR LMDC REVIEW 7/16/07
Issue/Revision Date

Date
July 16, 2007



Scale
As Noted

Sheet Title Drawing No.
Details A-9