

# AUDIO VISUAL SYSTEM BID

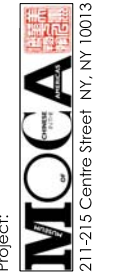
## MUSEUM OF THE CHINESE AMERICAN

### 211-215 CENTRE STREET

### NEW YORK, NY 10013

Drawing List:

- AV-100 – Cellar Floor Plan
- AV-101 – Master Control Room Layout
- AV-200 – Cellar Floor Plan
- AV-300 – Lobby Kiosk AV Plan
- AV-301 – Portraits & Core Exhibit AV Plan
- AV-302 – Map Movies Exhibit AV Plan
- AV-303 – Angel Island Exhibit AV Plan
- AV-304 – Old Store AV Plan
- AV-305 – Red Scare Exhibit AV Plan
- AV-306 – Nixon in Chine Exhibit AV Plan
- AV-307 – Golden Venture Exhibit AV Plan
- AV-308 – Story Table Exhibit AV Plan
- AV-309 – China Trade Exhibit AV Plan
- AV-310 – Beijing or Bust Exhibit AV Plan
- AV-311 – C-100 Interviews Exhibit AV Plan
- AV-312 – Master Control Room AV Plan
- AV-313 – Changing Exhibit AV Plan
- AV-314 – Classroom AV Plan
- AV-315 – Divisible Meeting Room AV Plan
- AV-316 – Patch Panel/Ethernet Switch Plan



Structural Engineer  
**ROBERT SILMAN ASSOCIATED, P.C.**  
**CONSULTING ENGINEERS**  
 88 University Place  
 New York, NY 10003  
 t: 212.620.7970  
 f: 212.620.8157

Mechanical Engineer  
**KAM CHIU ASSOCIATES**  
 54 Howard Street, 5th Floor  
 New York, NY 10013  
 t: 917.743.3267  
 f: 718.648.8860

Exhibition Designer  
**MATTER**  
 20 Jay Street, No. 302  
 Brooklyn, NY 11201  
 t: 718.855.2255  
 f: 718.855.1040

Lighting Designer  
**BPI - BRANDSTON PARTNERSHIP INC.**  
 122 West 26th Street, 5th Floor  
 New York, NY 10001  
 t: 212.924.4050  
 f: 212.691.5418

Audio Visual Consultant



242 West 30th Street  
 New York, NY 10001  
 t: 212.931.5087  
 www.imdgrp.com

Designer  
**MAYA LIN STUDIO**

112 Prince Street, 4th Floor  
 New York, New York 10012  
 t: 212.941.6463  
 f: 212.941.6464

**BIALOSKY + PARTNERS**  
 ARCHITECTS

394 Broadway Suite 208  
 New York, New York 10013  
 t: 212.941.1390  
 f: 212.941.9995  
 www.wbarchitect.com

2775 S. Moreland Blvd.  
 Cleveland, Ohio 44120  
 t: 216.752.8750  
 f: 216.752.9437  
 www.bialosky.com

Project No: MOCA-01  
 Drawn / Checked:

Issue: BID ISSUE 3.14.08

**AUDIO VISUAL**  
**SYSTEM BID SET**  
**AV-001**



Structural Engineer  
**ROBERT SILMAN ASSOCIATED, P.C.**  
CONSULTING ENGINEERS  
88 University Place  
New York, NY 10003  
t: 212.620.7970  
f: 212.620.8157

Mechanical Engineer  
**KAM CHIU ASSOCIATES**  
54 Howard Street, 5th Floor  
New York, NY 10013  
t: 917.743.3267  
f: 718.648.8860

Exhibition Designer  
**MATTER**  
20 Jay Street, No. 302  
Brooklyn, NY 11201  
t: 718.855.2255  
f: 718.855.1040

Lighting Designer  
**BPI - BRANDSTON PARTNERSHIP INC.**  
122 West 26th Street, 5th Floor  
New York, NY 10001  
t: 212.924.4050  
f: 212.691.5418

Audio Visual Consultant



242 West 30th Street  
New York, NY 10001  
t: 212.931.5087  
www.imgdgrp.com

Designer  
**MAYA LIN STUDIO**

112 Prince Street, 4th Floor  
New York, New York 10012  
t: 212.941.6463  
f: 212.941.6464

**BIALOSKY + PARTNERS**  
ARCHITECTS

394 Broadway Suite 208  
New York, New York 10013  
t: 212.941.1390  
f: 212.941.9995  
www.wbarchitect.com

2775 S. Moreland Blvd.  
Cleveland, Ohio 44120  
t: 216.752.8750  
f: 216.752.9437  
www.bialosky.com

Project No: MOCA-01

Drawn / Checked:

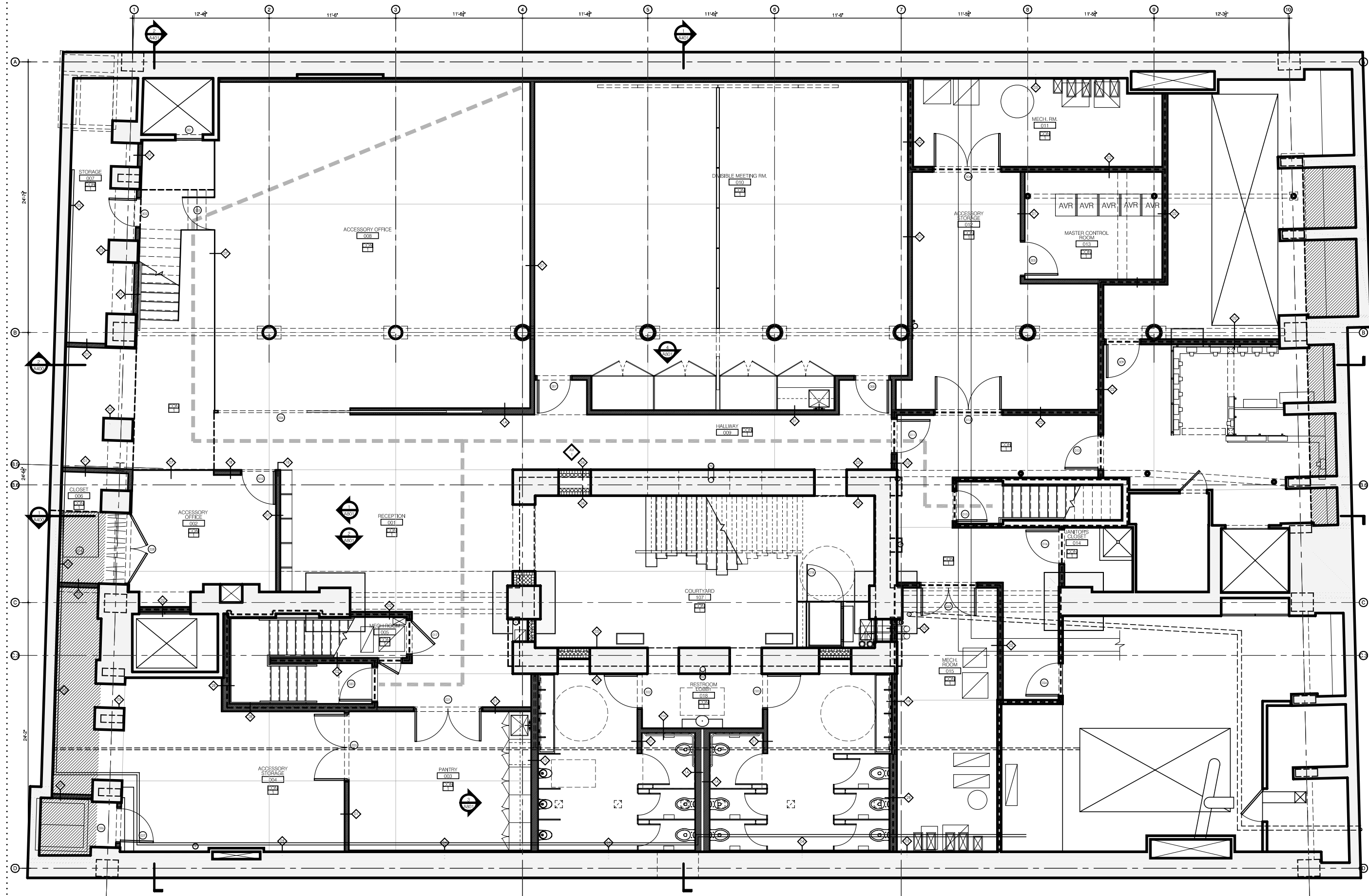
Issue: BID ISSUE 3.14.08

Issue: BID ISSUE 3.14.08

**PROPOSED**  
**CELLAR FLOOR PLAN**

**AV-100**

Copyright © 2007 Bialosky + Partners Architects



1 PROPOSED CELLAR FLOOR PLAN  
A100 1/4" = 1'-0"

	EXISTING CONSTRUCTION		NEW BRICK ON 4" CMU BACKER BLOCK
	NEW 2-HR CONSTRUCTION		EXHAUST FAN
	NEW CONSTRUCTION: 1 LAYER 5/8" FIRE CODE GYPSUM BD. EACH SIDE OF 3-5/8" 25 GA. METAL STUD AT 16" O.C. MAX.		EXIT SIGN
	MAXIMUM TRAVEL DISTANCE		

Structural Engineer  
**ROBERT SILMAN ASSOCIATED, P.C.**  
CONSULTING ENGINEERS  
88 University Place  
New York, NY 10003  
t: 212.620.7970  
f: 212.620.8157

Mechanical Engineer  
**KAM CHIU ASSOCIATES**  
54 Howard Street, 5th Floor  
New York, NY 10013  
t: 917.743.3267  
f: 718.648.8860

Exhibition Designer  
**MATTER**  
20 Jay Street, No. 302  
Brooklyn, NY 11201  
t: 718.855.2255  
f: 718.855.1040

Lighting Designer  
**BPI - BRANDSTON PARTNERSHIP INC.**  
122 West 26th Street, 5th Floor  
New York, NY 10001  
t: 212.924.4050  
f: 212.691.5418

Audio Visual Consultant



Integrated media & design group  
242 West 30th Street  
New York, NY 10001  
t: 212.931.5087  
www.imdgrp.com

Designer  
**MAYA LIN STUDIO**

112 Prince Street, 4th Floor  
New York, New York 10012  
t: 212.941.6463  
f: 212.941.6464

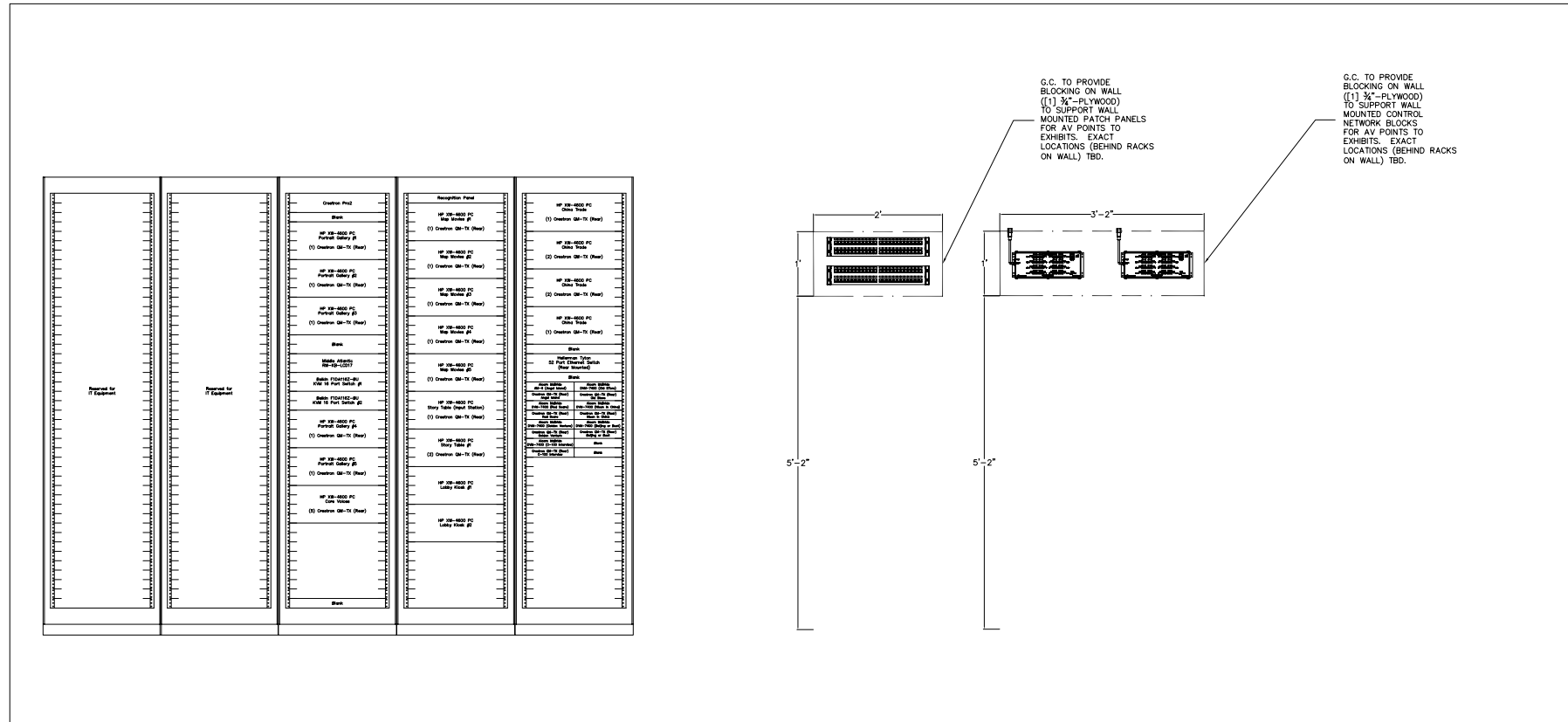
**BIALOSKY + PARTNERS**  
ARCHITECTS

394 Broadway Suite 208  
New York, New York 10013  
t: 212.941.1390  
f: 212.941.9995  
www.wbarchitect.com

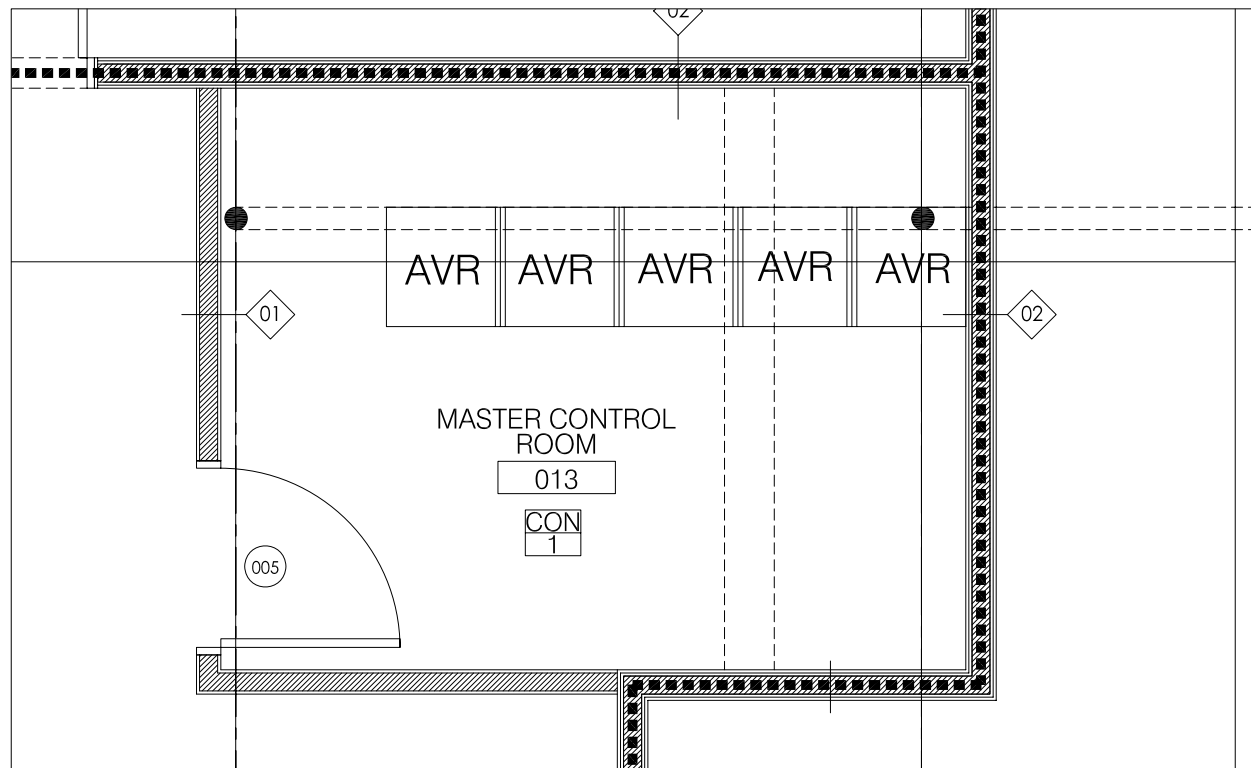
2775 S. Moreland Blvd.  
Cleveland, Ohio 44120  
t: 216.752.8750  
f: 216.752.9437  
www.bialosky.com

Project No: MOCA-01  
Drawn / Checked:

Issue: BID ISSUE 3.14.08



**AV 101-A** AUDIO VISUAL RACK ELEVATION  
MASTER CONTROL ROOM  
SCALE: NTS



**AV 101-B** AUDIO VISUAL ROOM LAYOUT  
MASTER CONTROL ROOM  
SCALE: NTS



Structural Engineer  
**ROBERT SILMAN ASSOCIATED, P.C.**  
CONSULTING ENGINEERS  
88 University Place  
New York, NY 10003  
t: 212.620.7970  
f: 212.620.8157

Mechanical Engineer  
**KAM CHIU ASSOCIATES**  
54 Howard Street, 5th Floor  
New York, NY 10013  
t: 917.743.3267  
f: 718.648.8860

Exhibition Designer  
**MATTER**  
20 Jay Street, No. 302  
Brooklyn, NY 11201  
t: 718.855.2255  
f: 718.855.1040

Lighting Designer  
**BPI - BRANDSTON PARTNERSHIP INC.**  
122 West 26th Street, 5th Floor  
New York, NY 10001  
t: 212.924.4050  
f: 212.691.5418

Audio Visual Consultant



242 West 30th Street  
New York, NY 10001  
t: 212.931.5067  
www.imdgrp.com

Designer  
**MAYA LIN STUDIO**  
112 Prince Street, 4th Floor  
New York, New York 10012  
t: 212.941.6463  
f: 212.941.6464

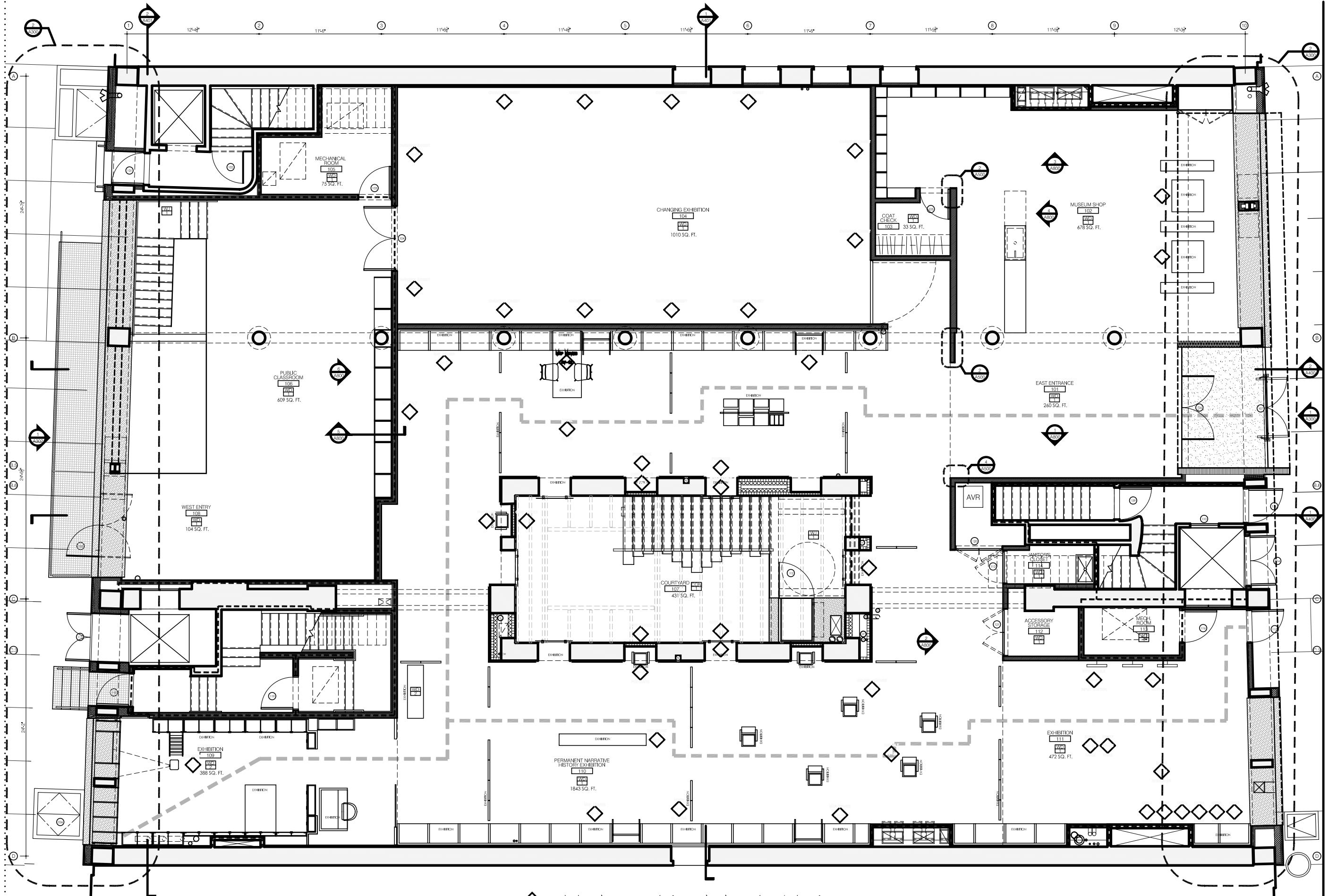
**BIALOSKY + PARTNERS**  
ARCHITECTS

396 Broadway Suite 208  
New York, New York 10013  
t: 212.941.1390  
f: 212.941.9995  
www.wbarchitect.com

2775 S. Moreland Blvd.  
Cleveland, Ohio 44120  
t: 216.752.8750  
f: 216.752.9437  
www.bialosky.com

Project No: MOCA-01  
Drawn / Checked:

Issue: E1/E1  
BID ISSUE 3.14.08

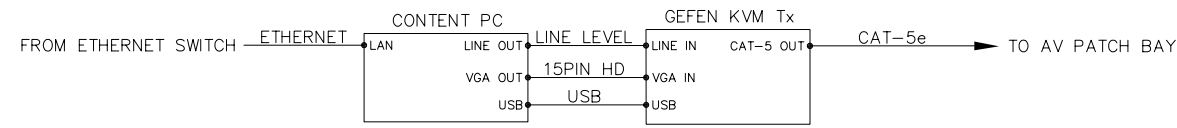


1 PROPOSED GROUND FLOOR  
1/4" = 1'-0"

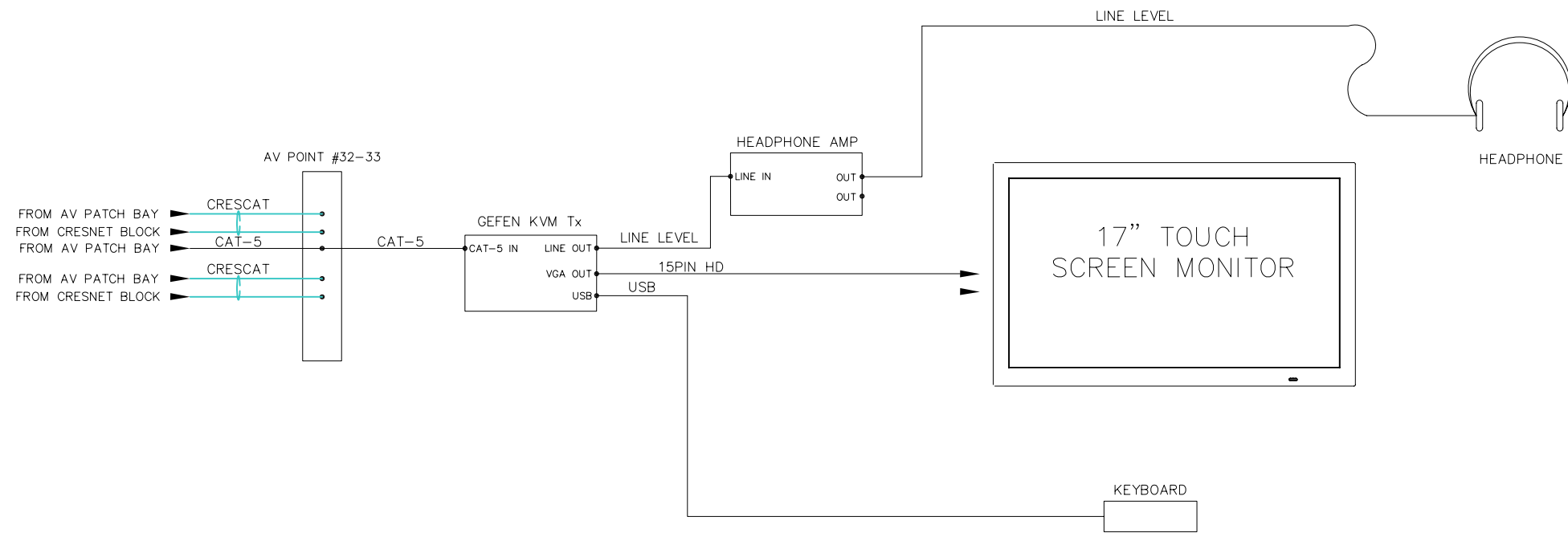
TYPICAL AV POINT - 2 CRESCAT (CRESTRON CONTROL CABLE, 1 CAT-5E)

	EXISTING CONSTRUCTION		NEW BRICK ON CMU BACKER BLOCK
	NEW 2-HR CONSTRUCTION		EX-HAUST FAN
	NEW CONSTRUCTION: 1 LAYER 5/8" FIRE CODE GYPSUM BD. EACH SIDE OF 3-5/8" 25 GA. METAL STUD AT 16" O.C. MAX.		EXIT SIGN
	MAXIMUM TRAVEL DISTANCE		

PROPOSED  
FIRST FLOOR PLAN  
**AV-200**  
Copyright © 2007 Bialosky + Partners Architects



**AV 300-A** AUDIO VISUAL SIGNAL FLOW DETAIL  
 MAIN CONTROL SYSTEM (LOBBY KIOSK) - TYPICAL OF 2  
 SCALE: NTS



**AV 300-A** AUDIO VISUAL SIGNAL FLOW DETAIL  
 LOBBY KIOSK - TYPICAL OF 2  
 SCALE: NTS

Project: **MOCA**  
 211-215 Centre Street NY, NY 10013

Structural Engineer  
**ROBERT SILMAN ASSOCIATED, P.C.**  
 CONSULTING ENGINEERS  
 88 University Place  
 New York, NY 10003  
 t: 212.620.7970  
 f: 212.620.8157

Mechanical Engineer  
**KAM CHIU ASSOCIATES**  
 54 Howard Street, 5th Floor  
 New York, NY 10013  
 t: 917.743.3267  
 f: 718.648.8860

Exhibition Designer  
**MATTER**  
 20 Jay Street, No. 302  
 Brooklyn, NY 11201  
 t: 718.855.2255  
 f: 718.855.1040

Lighting Designer  
**BPI - BRANDSTON PARTNERSHIP INC.**  
 122 West 26th Street, 5th Floor  
 New York, NY 10001  
 t: 212.924.4050  
 f: 212.691.5418

Audio Visual Consultant  
**imdgr**  
 Integrated media & design group  
 242 West 30th Street  
 New York, NY 10001  
 t: 212.931.5087  
 www.imdgrp.com

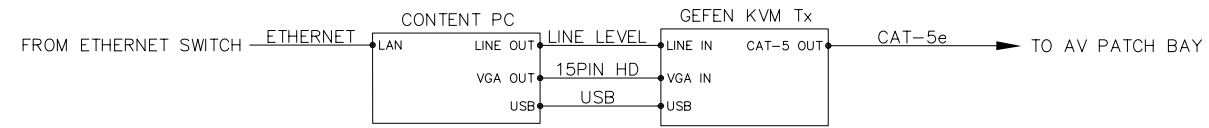
Designer  
**MAYA LIN STUDIO**  
 112 Prince Street, 4th Floor  
 New York, New York 10012  
 t: 212.941.6463  
 f: 212.941.6464

**BIALOSKY + PARTNERS**  
 ARCHITECTS  
 396 Broadway Suite 208  
 New York, New York 10013  
 t: 212.941.1390  
 f: 212.941.9995  
 www.wbarchitect.com  
 2775 S. Moreland Blvd.  
 Cleveland, Ohio 44120  
 t: 216.752.8750  
 f: 216.752.9437  
 www.bialosky.com

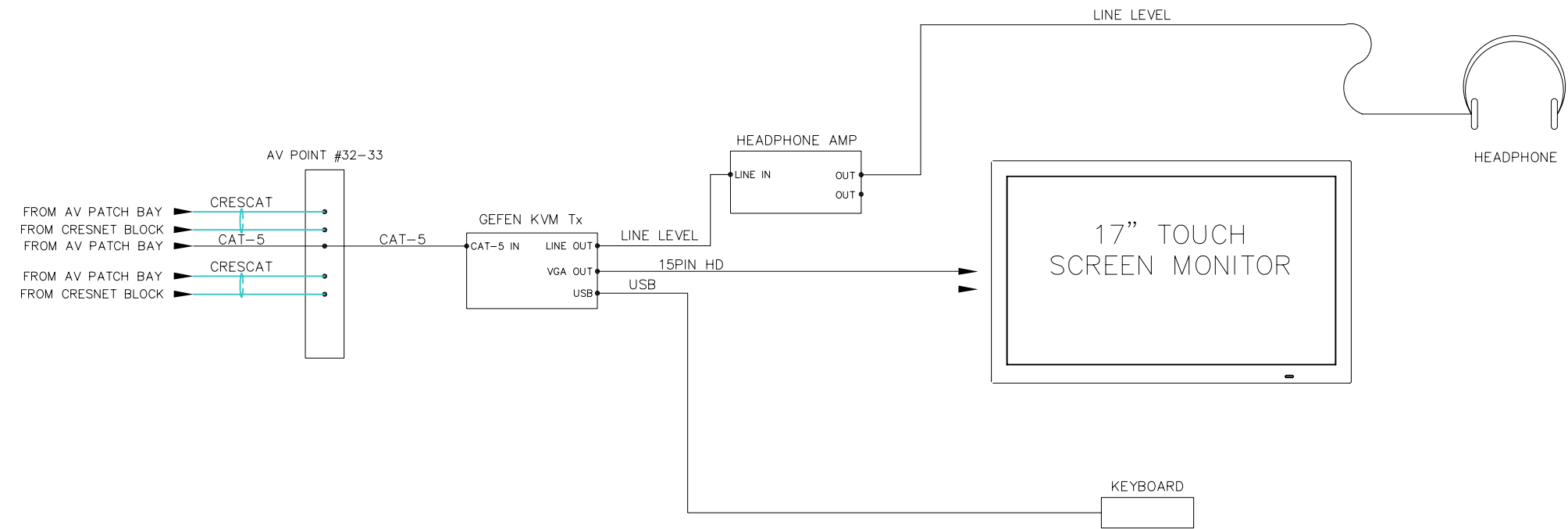
Project No: MOCA-01  
 Drawn / Checked:

Issue: BID ISSUE 3.14.08

**LOBBY KIOSK**  
**AV SIGNAL DIAGRAM**  
**AV-300**



**AV 300-A** AUDIO VISUAL SIGNAL FLOW DETAIL  
 MAIN CONTROL SYSTEM (LOBBY KIOSK) - TYPICAL OF 2  
 SCALE: NTS



**AV 300-A** AUDIO VISUAL SIGNAL FLOW DETAIL  
 LOBBY KIOSK - TYPICAL OF 2  
 SCALE: NTS

Project: **MOCA**  
 211-215 Centre Street NY, NY 10013

Structural Engineer  
**ROBERT SILMAN ASSOCIATED, P.C.**  
 CONSULTING ENGINEERS  
 88 University Place  
 New York, NY 10003  
 t: 212.620.7970  
 f: 212.620.8157

Mechanical Engineer  
**KAM CHIU ASSOCIATES**  
 54 Howard Street, 5th Floor  
 New York, NY 10013  
 t: 917.743.3267  
 f: 718.648.8860

Exhibition Designer  
**MATTER**  
 20 Jay Street, No. 302  
 Brooklyn, NY 11201  
 t: 718.855.2255  
 f: 718.855.1040

Lighting Designer  
**BPI - BRANDSTON PARTNERSHIP INC.**  
 122 West 26th Street, 5th Floor  
 New York, NY 10001  
 t: 212.924.4050  
 f: 212.691.5418

Audio Visual Consultant  
**imdgr**  
 Integrated media & design group  
 242 West 30th Street  
 New York, NY 10001  
 t: 212.931.5087  
 www.imdgrp.com

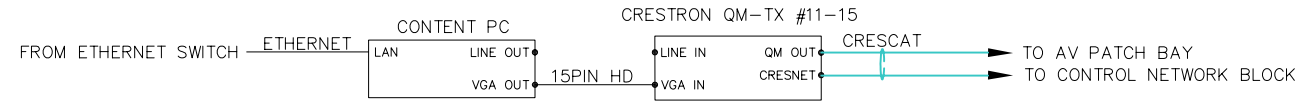
Designer  
**MAYA LIN STUDIO**  
 112 Prince Street, 4th Floor  
 New York, New York 10012  
 t: 212.941.6483  
 f: 212.941.6464

**BIALOSKY + PARTNERS**  
 ARCHITECTS  
 394 Broadway Suite 208  
 New York, New York 10013  
 t: 212.941.1390  
 f: 212.941.9995  
 www.wbarchitect.com  
 2775 S. Moreland Blvd.  
 Cleveland, Ohio 44120  
 t: 216.752.8750  
 f: 216.752.9437  
 www.bialosky.com

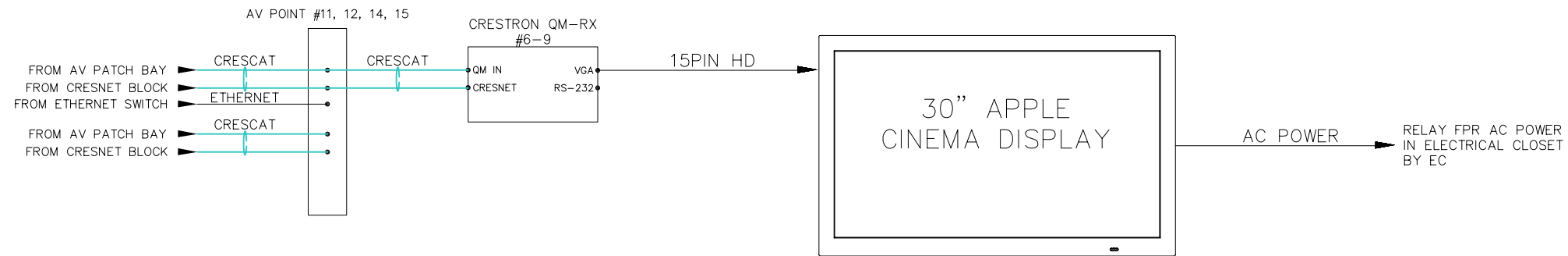
Project No: MOCA-01  
 Drawn / Checked:

Issue: BID ISSUE 3.14.08

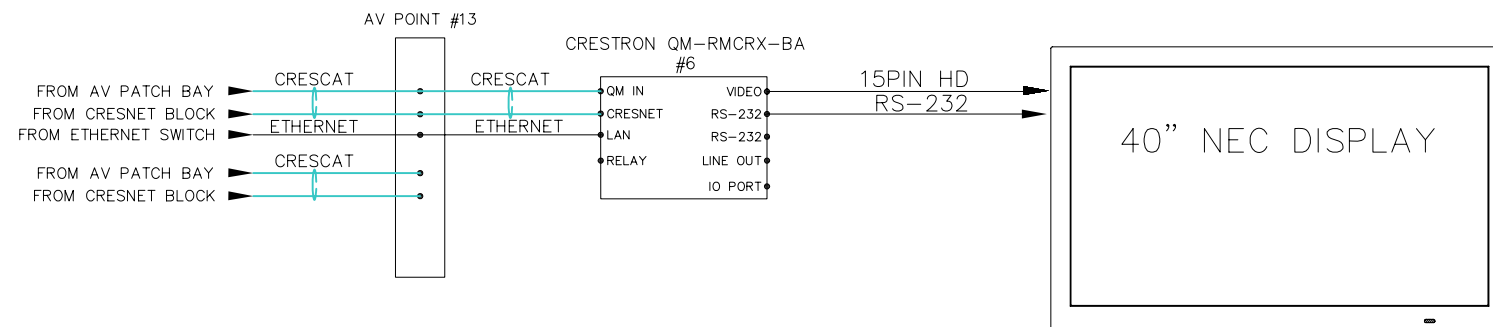
**CORE/PORTRAITS**  
**AV SIGNAL DIAGRAM**  
**AV-301**



**AV 302-A** AUDIO VISUAL SIGNAL FLOW DETAIL  
MAIN CONTROL SYSTEM (TYPICAL OF 5)  
SCALE: NTS



**AV 302-B** AUDIO VISUAL SIGNAL FLOW DETAIL  
TYPICAL MAP MOVIE EXHIBIT (1, 2, 4, & 5)  
SCALE: NTS



**AV 302-C** AUDIO VISUAL SIGNAL FLOW DETAIL  
MAP MOVIE EXHIBIT #3  
SCALE: NTS

Project: **MOCA**  
211-215 Centre Street NY, NY 10013

Structural Engineer  
**ROBERT SILMAN ASSOCIATED, P.C.**  
CONSULTING ENGINEERS  
88 University Place  
New York, NY 10003  
t: 212.620.7970  
f: 212.620.8157

Mechanical Engineer  
**KAM CHIU ASSOCIATES**  
54 Howard Street, 5th Floor  
New York, NY 10013  
t: 917.743.3267  
f: 718.648.8860

Exhibition Designer  
**MATTER**  
20 Jay Street, No. 302  
Brooklyn, NY 11201  
t: 718.855.2255  
f: 718.855.1040

Lighting Designer  
**BPI - BRANDSTON PARTNERSHIP INC.**  
122 West 26th Street, 5th Floor  
New York, NY 10001  
t: 212.924.4050  
f: 212.691.5418

Audio Visual Consultant

**imdgr**  
Integrated media & design group  
242 West 30th Street  
New York, NY 10001  
t: 212.931.5087  
www.imdgrp.com

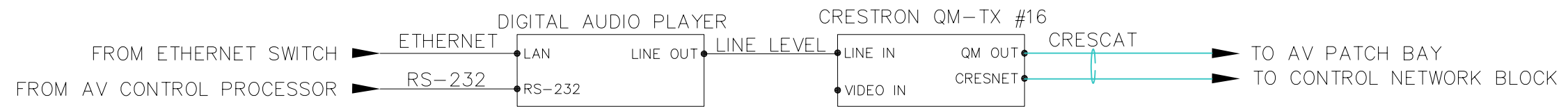
Designer  
**MAYA LIN STUDIO**  
112 Prince Street, 4th Floor  
New York, New York 10012  
t: 212.941.6463  
f: 212.941.6464

**BIALOSKY + PARTNERS**  
ARCHITECTS  
396 Broadway Suite 208  
New York, New York 10013  
t: 212.941.1390  
f: 212.941.9995  
www.wbarchitect.com  
2775 S. Moreland Blvd.  
Cleveland, Ohio 44120  
t: 216.752.8750  
f: 216.752.9437  
www.bialosky.com

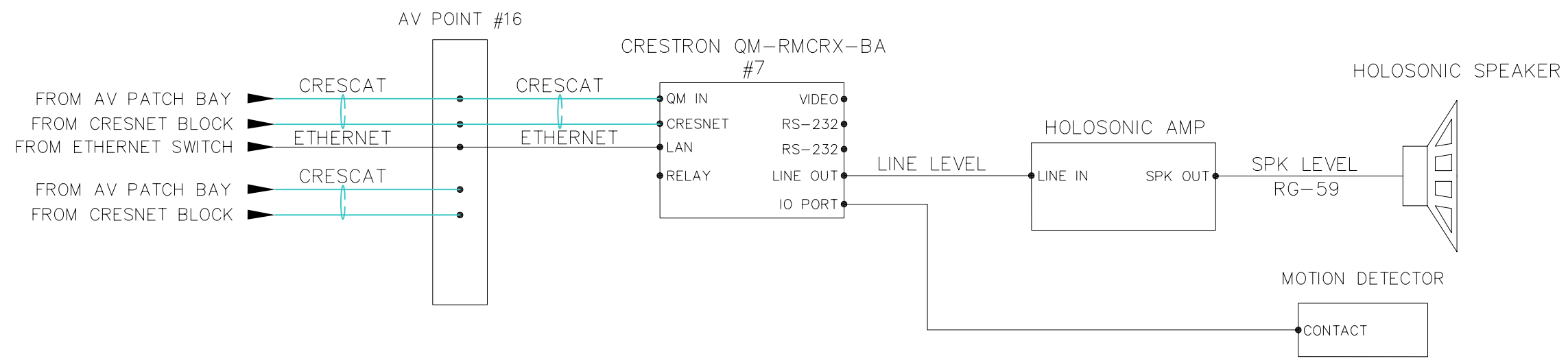
Project No: MOCA-01  
Drawn / Checked:

Issue: BID ISSUE 3.14.08

MAP MOVIES  
AV SIGNAL DIAGRAM  
**AV-302**



AV 303-A  
 AUDIO VISUAL SIGNAL FLOW DETAIL  
 MAIN CONTROL SYSTEM (PARTIAL)  
 SCALE: NTS



AV 303-B  
 AUDIO VISUAL SIGNAL FLOW DETAIL  
 ANGEL ISLAND EXHIBIT  
 SCALE: NTS

Project:  
**MOCA**  
 211-215 Centre Street NY, NY 10013

Structural Engineer  
**ROBERT SILMAN ASSOCIATED, P.C.**  
 CONSULTING ENGINEERS  
 88 University Place  
 New York, NY 10003  
 t: 212.620.7970  
 f: 212.620.8157

Mechanical Engineer  
**KAM CHIU ASSOCIATES**  
 54 Howard Street, 5th Floor  
 New York, NY 10013  
 t: 917.743.3267  
 f: 718.648.8860

Exhibition Designer  
**MATTER**  
 20 Jay Street, No. 302  
 Brooklyn, NY 11201  
 t: 718.855.2255  
 f: 718.855.1040

Lighting Designer  
**BPI - BRANDSTON PARTNERSHIP INC.**  
 122 West 26th Street, 5th Floor  
 New York, NY 10001  
 t: 212.924.4050  
 f: 212.691.5418

Audio Visual Consultant  
**imdgr**  
 Integrated media & design group  
 242 West 30th Street  
 New York, NY 10001  
 t: 212.931.5087  
 www.imdgrp.com

Designer  
**MAYA LIN STUDIO**  
 112 Prince Street, 4th Floor  
 New York, New York 10012  
 t: 212.941.6483  
 f: 212.941.6464

**BIALOSKY + PARTNERS**  
 ARCHITECTS  
 396 Broadway Suite 208  
 New York, New York 10013  
 t: 212.941.1390  
 f: 212.941.9995  
 www.wbarchitect.com  
 2775 S. Moreland Blvd.  
 Cleveland, Ohio 44120  
 t: 216.752.8750  
 f: 216.752.9437  
 www.bialosky.com

Project No: MOCA-01  
 Drawn / Checked:

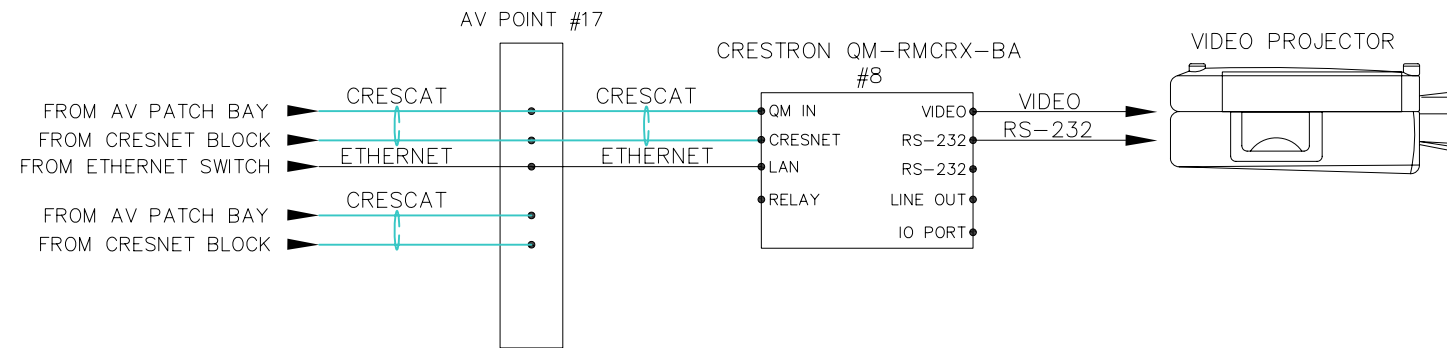
Issue: BID ISSUE 3.14.08

**ANGEL ISLAND**  
 AV SIGNAL DIAGRAM  
**AV-303**



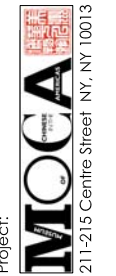


AUDIO VISUAL SIGNAL FLOW DETAIL  
 MAIN CONTROL SYSTEM (PARTIAL)  
 AV 304-A SCALE: NTS



AUDIO VISUAL SIGNAL FLOW DETAIL  
 OLD STORE  
 AV 304-B SCALE: NTS

DUAL VIEW  
 PROJECTION SCREEN  
 (FIXED IN FRAME)



Structural Engineer  
**ROBERT SILMAN ASSOCIATED, P.C.**  
 CONSULTING ENGINEERS  
 88 University Place  
 New York, NY 10003  
 t: 212.620.7970  
 f: 212.620.8157

Mechanical Engineer  
**KAM CHIU ASSOCIATES**  
 54 Howard Street, 5th Floor  
 New York, NY 10013  
 t: 917.743.3267  
 f: 718.648.8860

Exhibition Designer  
**MATTER**  
 20 Jay Street, No. 302  
 Brooklyn, NY 11201  
 t: 718.855.2255  
 f: 718.855.1040

Lighting Designer  
**BPI - BRANDSTON PARTNERSHIP INC.**  
 122 West 26th Street, 5th Floor  
 New York, NY 10001  
 t: 212.924.4050  
 f: 212.691.5418

Audio Visual Consultant  
**imdgr**  
 Integrated media & design group  
 242 West 30th Street  
 New York, NY 10001  
 t: 212.931.5087  
 www.imdgrp.com

Designer  
**MAYA LIN STUDIO**  
 112 Prince Street, 4th Floor  
 New York, New York 10012  
 t: 212.941.6463  
 f: 212.941.6464

**BIALOSKY + PARTNERS**  
 ARCHITECTS  
 396 Broadway Suite 208  
 New York, New York 10013  
 t: 212.941.1390  
 f: 212.941.9995  
 www.wbarchitect.com  
 2775 S. Moreland Blvd.  
 Cleveland, Ohio 44120  
 t: 216.752.8750  
 f: 216.752.9437  
 www.bialosky.com

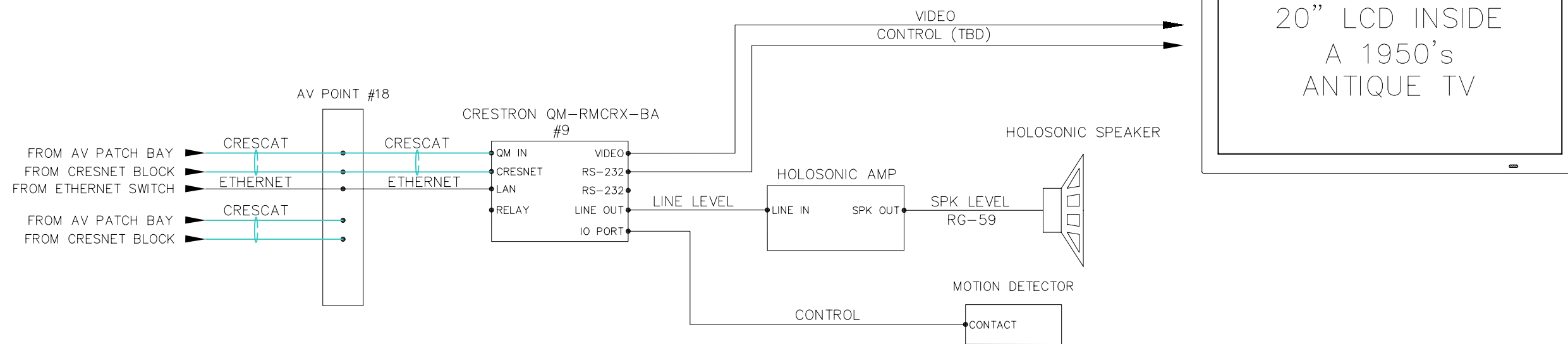
Project No: MOCA-01  
 Drawn / Checked:

Issue: BID ISSUE 3.14.08

**OLD STORE**  
 AV SIGNAL DIAGRAM  
**AV-304**



AUDIO VISUAL SIGNAL FLOW DETAIL  
 MAIN CONTROL SYSTEM (PARTIAL)  
 AV 305-A SCALE: NTS



AUDIO VISUAL SIGNAL FLOW DETAIL  
 RED SCARE EXHIBIT  
 AV 305-B SCALE: NTS

Project:  
**MOCA**  
 211-215 Centre Street NY, NY 10013

Structural Engineer  
**ROBERT SILMAN ASSOCIATED, P.C.**  
 CONSULTING ENGINEERS  
 88 University Place  
 New York, NY 10003  
 t: 212.620.7970  
 f: 212.620.8157

Mechanical Engineer  
**KAM CHIU ASSOCIATES**  
 54 Howard Street, 5th Floor  
 New York, NY 10013  
 t: 917.743.3267  
 f: 718.648.8860

Exhibition Designer  
**MATTER**  
 20 Jay Street, No. 302  
 Brooklyn, NY 11201  
 t: 718.855.2255  
 f: 718.855.1040

Lighting Designer  
**BPI - BRANDSTON PARTNERSHIP INC.**  
 122 West 26th Street, 5th Floor  
 New York, NY 10001  
 t: 212.924.4050  
 f: 212.691.5418

Audio Visual Consultant  
**imdgr**  
 Integrated media & design group  
 242 West 30th Street  
 New York, NY 10001  
 t: 212.931.5087  
 www.imdgrp.com

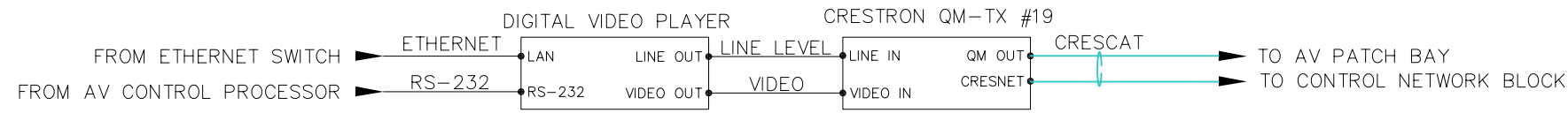
Designer  
**MAYA LIN STUDIO**  
 112 Prince Street, 4th Floor  
 New York, New York 10012  
 t: 212.941.6463  
 f: 212.941.6464

**BIALOSKY + PARTNERS**  
 ARCHITECTS  
 396 Broadway Suite 208  
 New York, New York 10013  
 t: 212.941.1390  
 f: 212.941.9995  
 www.wbarchitect.com  
 2775 S. Moreland Blvd.  
 Cleveland, Ohio 44120  
 t: 216.752.8750  
 f: 216.752.9437  
 www.bialosky.com

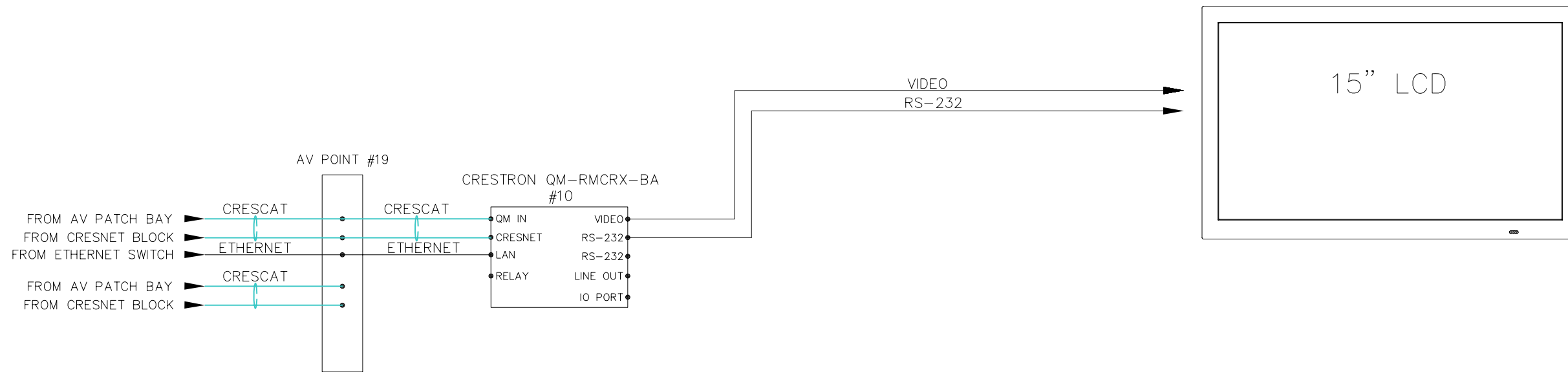
Project No: MOCA-01  
 Drawn / Checked:

Issue: BID ISSUE 3.14.08

**RED SCARE**  
 AV SIGNAL DIAGRAM  
**AV-305**



AV  
306-A  
AUDIO VISUAL SIGNAL FLOW DETAIL  
MAIN CONTROL SYSTEM (PARTIAL)  
SCALE: NTS



AV  
306-B  
AUDIO VISUAL SIGNAL FLOW DETAIL  
NIXON IN CHINA  
SCALE: NTS

Project:  
**MOCA**  
211-215 Centre Street NY, NY 10013

Structural Engineer  
**ROBERT SILMAN ASSOCIATED, P.C.**  
CONSULTING ENGINEERS  
88 University Place  
New York, NY 10003  
t: 212.620.7970  
f: 212.620.8157

Mechanical Engineer  
**KAM CHIU ASSOCIATES**  
54 Howard Street, 5th Floor  
New York, NY 10013  
t: 917.743.3267  
f: 718.648.8860

Exhibition Designer  
**MATTER**  
20 Jay Street, No. 302  
Brooklyn, NY 11201  
t: 718.855.2255  
f: 718.855.1040

Lighting Designer  
**BPI - BRANDSTON PARTNERSHIP INC.**  
122 West 26th Street, 5th Floor  
New York, NY 10001  
t: 212.924.4050  
f: 212.691.5418

Audio Visual Consultant  
**imdgr**  
Integrated media & design group  
242 West 30th Street  
New York, NY 10001  
t: 212.931.5087  
www.imdgrp.com

Designer  
**MAYA LIN STUDIO**  
112 Prince Street, 4th Floor  
New York, New York 10012  
t: 212.941.6463  
f: 212.941.6464

**BIALOSKY + PARTNERS**  
ARCHITECTS  
396 Broadway Suite 208  
New York, New York 10013  
t: 212.941.1390  
f: 212.941.9995  
www.wbarchitect.com  
2775 S. Moreland Blvd.  
Cleveland, Ohio 44120  
t: 216.752.8750  
f: 216.752.9437  
www.bialosky.com

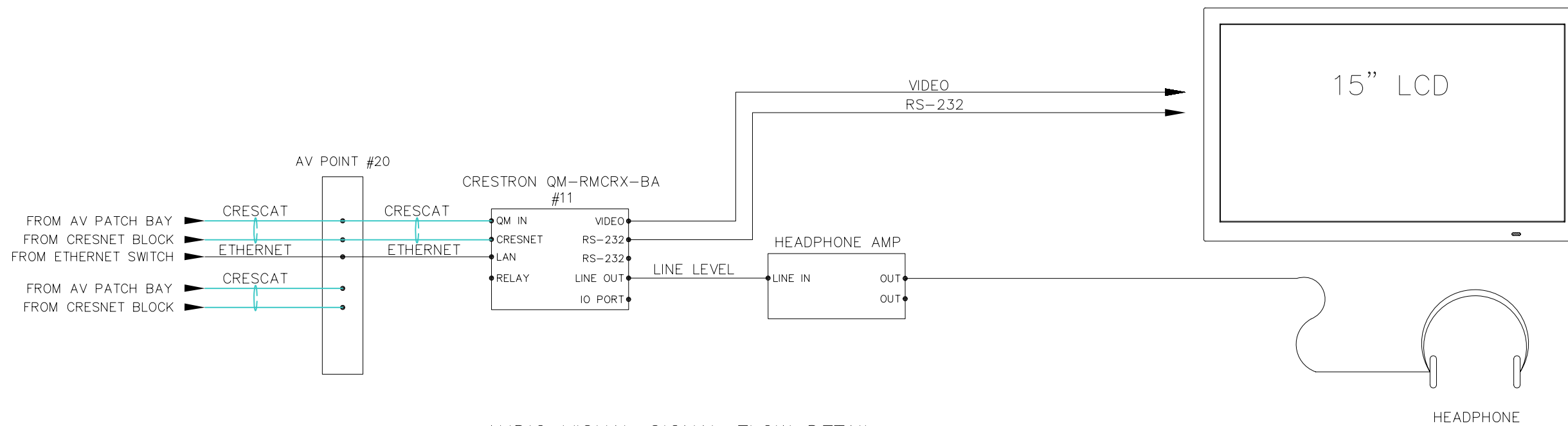
Project No: MOCA-01  
Drawn / Checked:

Issue: BID ISSUE 3.14.08

**NIXON IN CHINA**  
AV SIGNAL DIAGRAM  
**AV-306**



AV 307-A  
 AUDIO VISUAL SIGNAL FLOW DETAIL  
 MAIN CONTROL SYSTEM (PARTIAL)  
 SCALE: NTS



AV 307-B  
 AUDIO VISUAL SIGNAL FLOW DETAIL  
 GOLDEN VENTURE EXHIBIT  
 SCALE: NTS

Project: **MOCA**  
 211-215 Centre Street NY, NY 10013

Structural Engineer  
**ROBERT SILMAN ASSOCIATED, P.C.**  
 CONSULTING ENGINEERS  
 88 University Place  
 New York, NY 10003  
 t: 212.620.7970  
 f: 212.620.8157

Mechanical Engineer  
**KAM CHIU ASSOCIATES**  
 54 Howard Street, 5th Floor  
 New York, NY 10013  
 t: 917.743.3267  
 f: 718.648.8860

Exhibition Designer  
**MATTER**  
 20 Jay Street, No. 302  
 Brooklyn, NY 11201  
 t: 718.855.2255  
 f: 718.855.1040

Lighting Designer  
**BPI - BRANDSTON PARTNERSHIP INC.**  
 122 West 26th Street, 5th Floor  
 New York, NY 10001  
 t: 212.924.4050  
 f: 212.691.5418

Audio Visual Consultant  
**imdgr**  
 Integrated media & design group  
 242 West 30th Street  
 New York, NY 10001  
 t: 212.931.5087  
 www.imdgrp.com

Designer  
**MAYA LIN STUDIO**  
 112 Prince Street, 4th Floor  
 New York, New York 10012  
 t: 212.941.6463  
 f: 212.941.6464

**BIALOSKY + PARTNERS**  
 ARCHITECTS  
 396 Broadway Suite 208  
 New York, New York 10013  
 t: 212.941.1390  
 f: 212.941.9995  
 www.wbarchitect.com  
 2775 S. Moreland Blvd.  
 Cleveland, Ohio 44120  
 t: 216.752.8750  
 f: 216.752.9437  
 www.bialosky.com

Project No: MOCA-01  
 Drawn / Checked:

Issue: BID ISSUE 3.14.08

**GOLDEN VENTURE**  
 AV SIGNAL DIAGRAM  
**AV-307**



Structural Engineer  
**ROBERT SILMAN ASSOCIATED, P.C.**  
 CONSULTING ENGINEERS  
 88 University Place  
 New York, NY 10003  
 t: 212.620.7970  
 f: 212.620.8157

Mechanical Engineer  
**KAM CHIU ASSOCIATES**  
 54 Howard Street, 5th Floor  
 New York, NY 10013  
 t: 917.743.3267  
 f: 718.648.8860

Exhibition Designer  
**MATTER**  
 20 Jay Street, No. 302  
 Brooklyn, NY 11201  
 t: 718.855.2255  
 f: 718.855.1040

Lighting Designer  
**BPI - BRANDSTON PARTNERSHIP INC.**  
 122 West 26th Street, 5th Floor  
 New York, NY 10001  
 t: 212.924.4050  
 f: 212.691.5418

Audio Visual Consultant



242 West 30th Street  
 New York, NY 10001  
 t: 212.931.5087  
 www.imdgrp.com

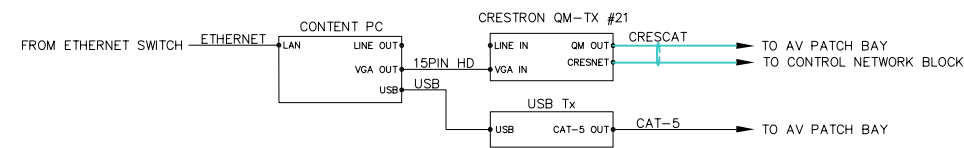
Designer  
**MAYA LIN STUDIO**  
 112 Prince Street, 4th Floor  
 New York, New York 10012  
 t: 212.941.6463  
 f: 212.941.6464

**BIALOSKY + PARTNERS**  
 ARCHITECTS

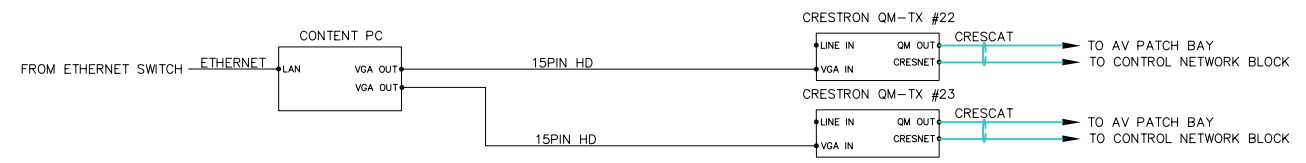
394 Broadway Suite 208  
 New York, New York 10013  
 t: 212.941.1390  
 f: 212.941.9995  
 www.wbarchitect.com  
 2775 S. Moreland Blvd.  
 Cleveland, Ohio 44120  
 t: 216.752.8750  
 f: 216.752.9437  
 www.bialosky.com

Project No: MOCA-01  
 Drawn / Checked:

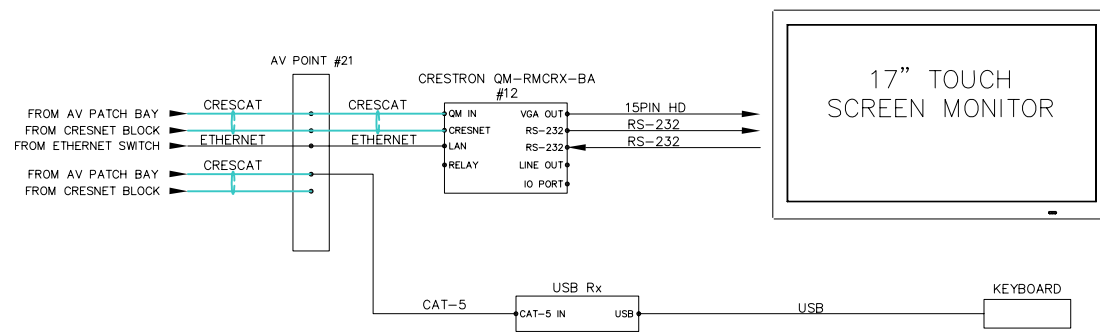
Issuer: BID ISSUE 3.14.08



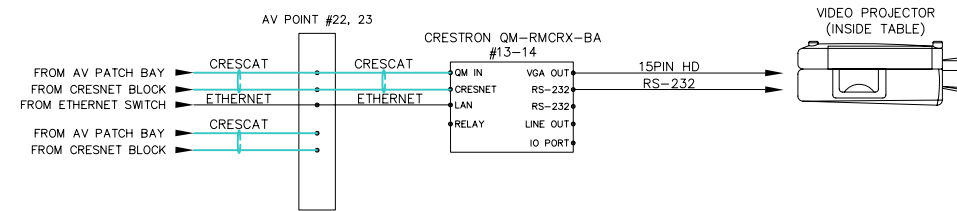
AV 308-A  
 AUDIO VISUAL SIGNAL FLOW DETAIL  
 MAIN CONTROL SYSTEM (FOR INPUT STATION)  
 SCALE: NTS



AV 308-C  
 AUDIO VISUAL SIGNAL FLOW DETAIL  
 MAIN CONTROL SYSTEM (PARTIAL)  
 SCALE: NTS



AV 308-B  
 AUDIO VISUAL SIGNAL FLOW DETAIL  
 STORY TABLE (INPUT STATION)  
 SCALE: NTS



AV 308-D  
 AUDIO VISUAL SIGNAL FLOW DETAIL  
 STORY TABLE (TYPICAL OF 2)  
 SCALE: NTS

Structural Engineer  
**ROBERT SILMAN ASSOCIATED, P.C.**  
CONSULTING ENGINEERS  
88 University Place  
New York, NY 10003  
t: 212.620.7970  
f: 212.620.8157

Mechanical Engineer  
**KAM CHIU ASSOCIATES**  
54 Howard Street, 5th Floor  
New York, NY 10013  
t: 917.743.3267  
f: 718.648.8860

Exhibition Designer  
**MATTER**  
20 Jay Street, No. 302  
Brooklyn, NY 11201  
t: 718.855.2255  
f: 718.855.1040

Lighting Designer  
**BPI - BRANDSTON PARTNERSHIP INC.**  
122 West 26th Street, 5th Floor  
New York, NY 10001  
t: 212.924.4050  
f: 212.691.5418

Audio Visual Consultant

**imdgr**  
Integrated media & design group  
242 West 30th Street  
New York, NY 10001  
t: 212.931.5087  
www.imdgrp.com

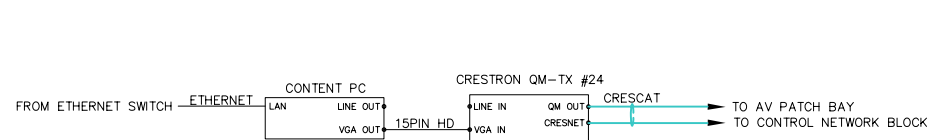
Designer  
**MAYA LIN STUDIO**  
112 Prince Street, 4th Floor  
New York, New York 10012  
t: 212.941.6483  
f: 212.941.6464

**BIALOSKY + PARTNERS**  
ARCHITECTS  
394 Broadway Suite 208  
New York, New York 10013  
t: 212.941.1390  
f: 212.941.9995  
www.wbarchitect.com  
2775 S. Moreland Blvd.  
Cleveland, Ohio 44120  
t: 216.752.8750  
f: 216.752.9437  
www.bialosky.com

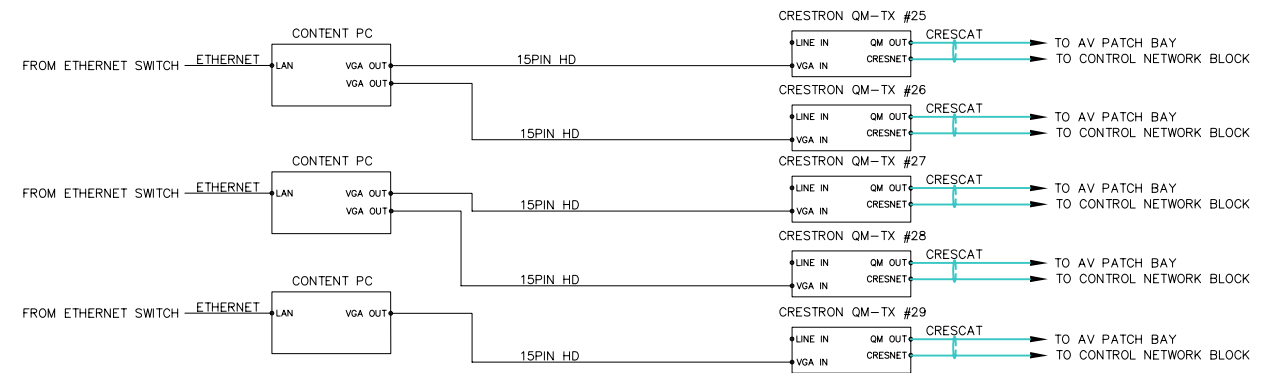
Project No: MOCA-01  
Drawn / Checked:

Issuer: BID ISSUE 3.14.08

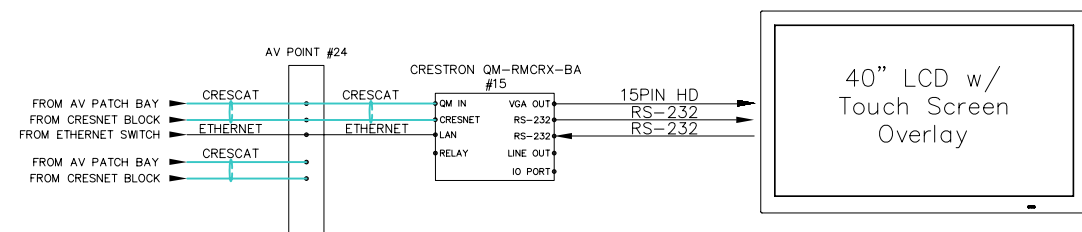
**CHINA TRADE**  
**AV SIGNAL DIAGRAM**  
**AV-309**



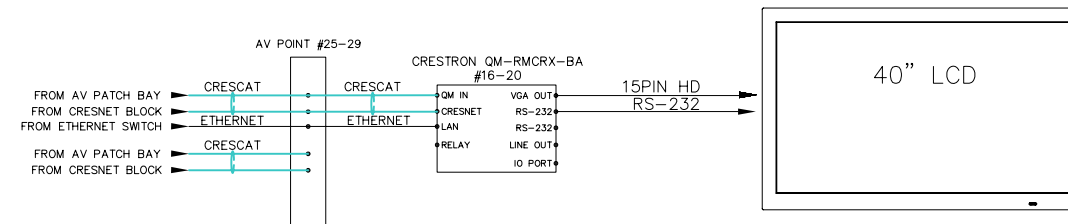
**AV 309-A**  
AUDIO VISUAL SIGNAL FLOW DETAIL  
MAIN CONTROL SYSTEM (PARTIAL)  
SCALE: NTS



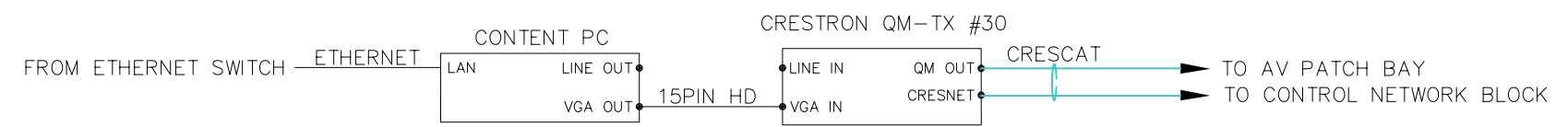
**AV 309-C**  
AUDIO VISUAL SIGNAL FLOW DETAIL  
MAIN CONTROL SYSTEM (PARTIAL)  
SCALE: NTS



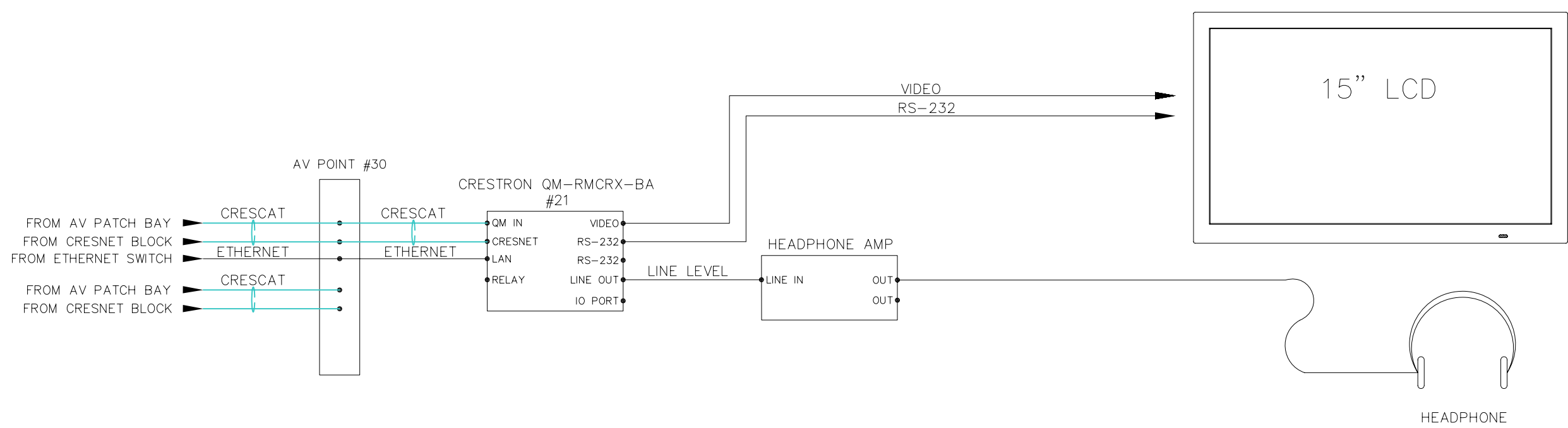
**AV 309-B**  
AUDIO VISUAL SIGNAL FLOW DETAIL  
CHINA TRADE EXHIBIT  
SCALE: NTS



**AV 309-D**  
AUDIO VISUAL SIGNAL FLOW DETAIL  
CHINA TRADE EXHIBIT (TYPICAL OF 5)  
SCALE: NTS



**AV 310-A**  
 AUDIO VISUAL SIGNAL FLOW DETAIL  
 MAIN CONTROL SYSTEM (PARTIAL)  
 SCALE: NTS



**AV 310-B**  
 AUDIO VISUAL SIGNAL FLOW DETAIL  
 BEIJING OR BUST EXHIBIT  
 SCALE: NTS

Project:  
**MOCA**  
 211-215 Centre Street NY, NY 10013

Structural Engineer  
**ROBERT SILMAN ASSOCIATED, P.C.**  
 CONSULTING ENGINEERS  
 88 University Place  
 New York, NY 10003  
 t: 212.620.7970  
 f: 212.620.8157

Mechanical Engineer  
**KAM CHIU ASSOCIATES**  
 54 Howard Street, 5th Floor  
 New York, NY 10013  
 t: 917.743.3267  
 f: 718.648.8860

Exhibition Designer  
**MATTER**  
 20 Jay Street, No. 302  
 Brooklyn, NY 11201  
 t: 718.855.2255  
 f: 718.855.1040

Lighting Designer  
**BPI - BRANDSTON PARTNERSHIP INC.**  
 122 West 26th Street, 5th Floor  
 New York, NY 10001  
 t: 212.924.4050  
 f: 212.691.5418

Audio Visual Consultant  
**imdgr**  
 Integrated media & design group  
 242 West 30th Street  
 New York, NY 10001  
 t: 212.931.5087  
 www.imdgrp.com

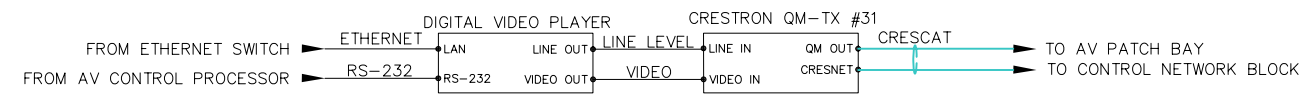
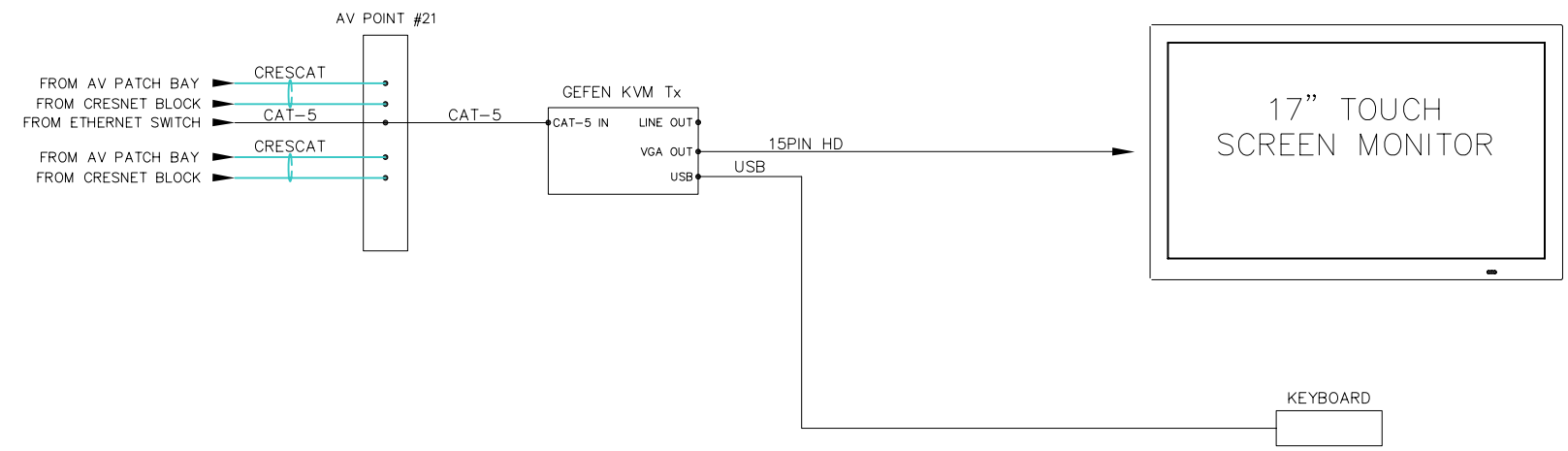
Designer  
**MAYA LIN STUDIO**  
 112 Prince Street, 4th Floor  
 New York, New York 10012  
 t: 212.941.6483  
 f: 212.941.6464

**BIALOSKY + PARTNERS**  
 ARCHITECTS  
 394 Broadway Suite 208  
 New York, New York 10013  
 t: 212.941.1390  
 f: 212.941.9995  
 www.wbarchitect.com  
 2775 S. Moreland Blvd.  
 Cleveland, Ohio 44120  
 t: 216.752.8750  
 f: 216.752.9437  
 www.bialosky.com

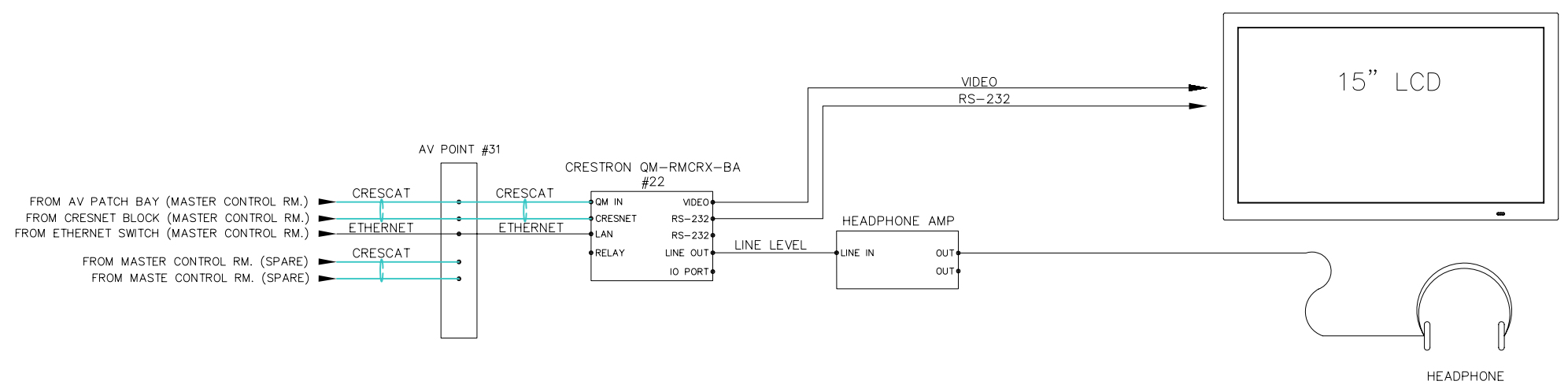
Project No: MOCA-01  
 Drawn / Checked:

Issue: BID ISSUE 3.14.08

**BEIJING OR BUST**  
 AV SIGNAL DIAGRAM  
**AV-310**



AV 311-A  
AUDIO VISUAL SIGNAL FLOW DETAIL  
MAIN CONTROL SYSTEM (PARTIAL)  
SCALE: NTS



AV 311-B  
AUDIO VISUAL SIGNAL FLOW DETAIL  
C-100 INTERVIEWS  
SCALE: NTS

Project:  
**MOCA**  
211-215 Centre Street NY, NY 10013

Structural Engineer  
**ROBERT SILMAN ASSOCIATED, P.C.**  
CONSULTING ENGINEERS  
88 University Place  
New York, NY 10003  
t: 212.620.7970  
f: 212.620.8157

Mechanical Engineer  
**KAM CHIU ASSOCIATES**  
54 Howard Street, 5th Floor  
New York, NY 10013  
t: 917.743.3267  
f: 718.648.8860

Exhibition Designer  
**MATTER**  
20 Jay Street, No. 302  
Brooklyn, NY 11201  
t: 718.855.2255  
f: 718.855.1040

Lighting Designer  
**BPI - BRANDSTON PARTNERSHIP INC.**  
122 West 26th Street, 5th Floor  
New York, NY 10001  
t: 212.924.4050  
f: 212.691.5418

Audio Visual Consultant  
**imdgr**  
Integrated media & design group  
242 West 30th Street  
New York, NY 10001  
t: 212.931.5087  
www.imdgrp.com

Designer  
**MAYA LIN STUDIO**  
112 Prince Street, 4th Floor  
New York, New York 10012  
t: 212.941.6463  
f: 212.941.6464

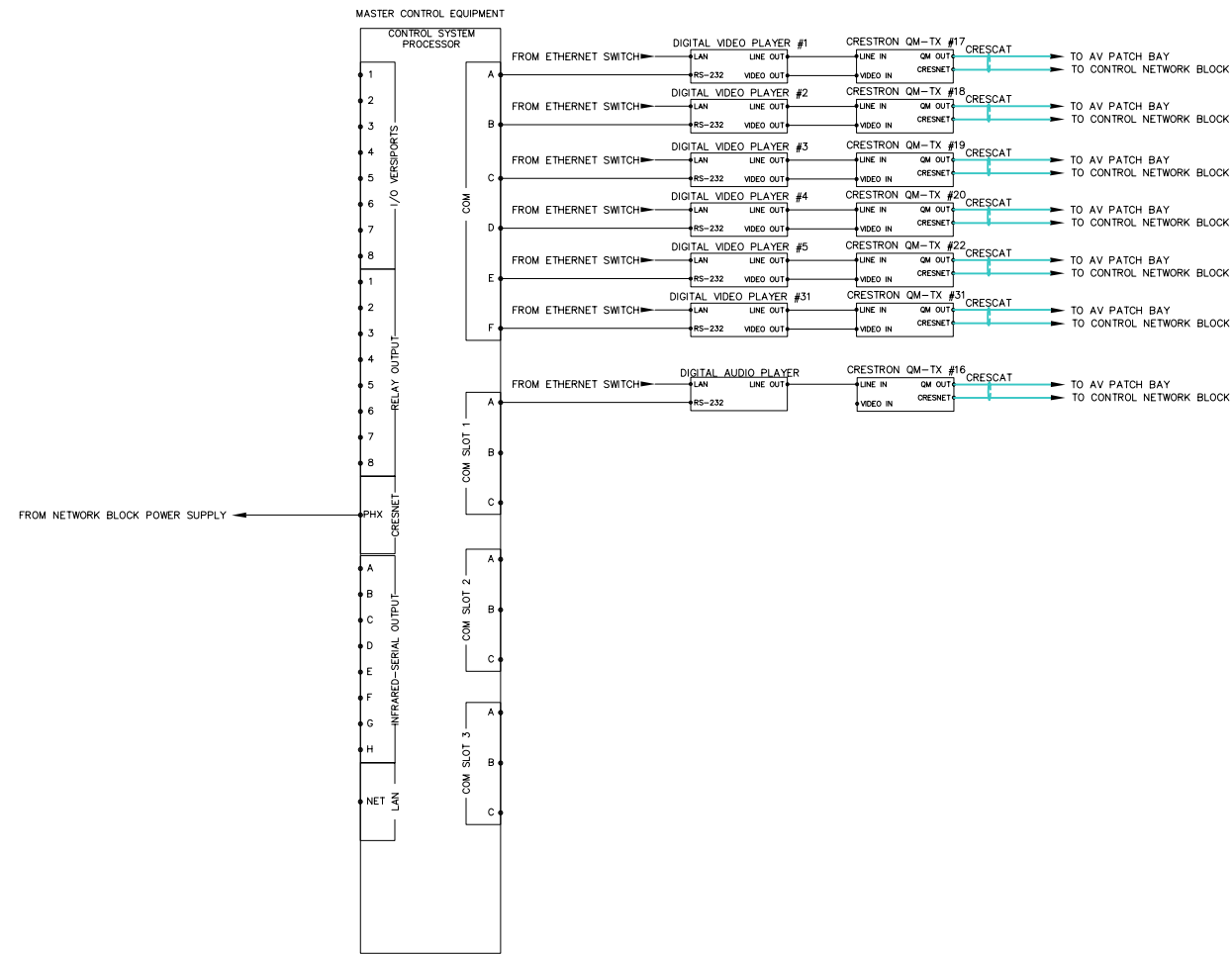
**BIALOSKY + PARTNERS**  
ARCHITECTS  
394 Broadway Suite 208  
New York, New York 10013  
t: 212.941.1390  
f: 212.941.9995  
www.wbarchitect.com  
2775 S. Moreland Blvd.  
Cleveland, Ohio 44120  
t: 216.752.8750  
f: 216.752.9437  
www.bialosky.com

Project No: MOCA-01  
Drawn / Checked:

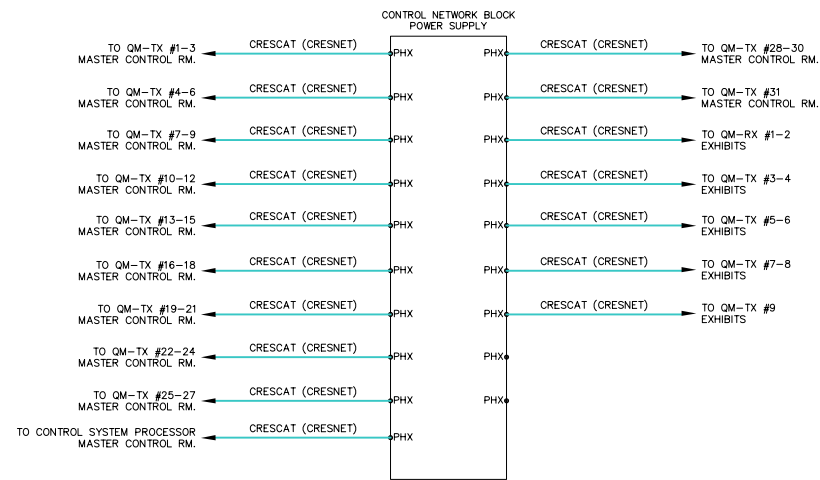
Issue: BID ISSUE 3.14.08

**C-100 INTERVIEWS**  
**AV SIGNAL DIAGRAM**  
**AV-311**

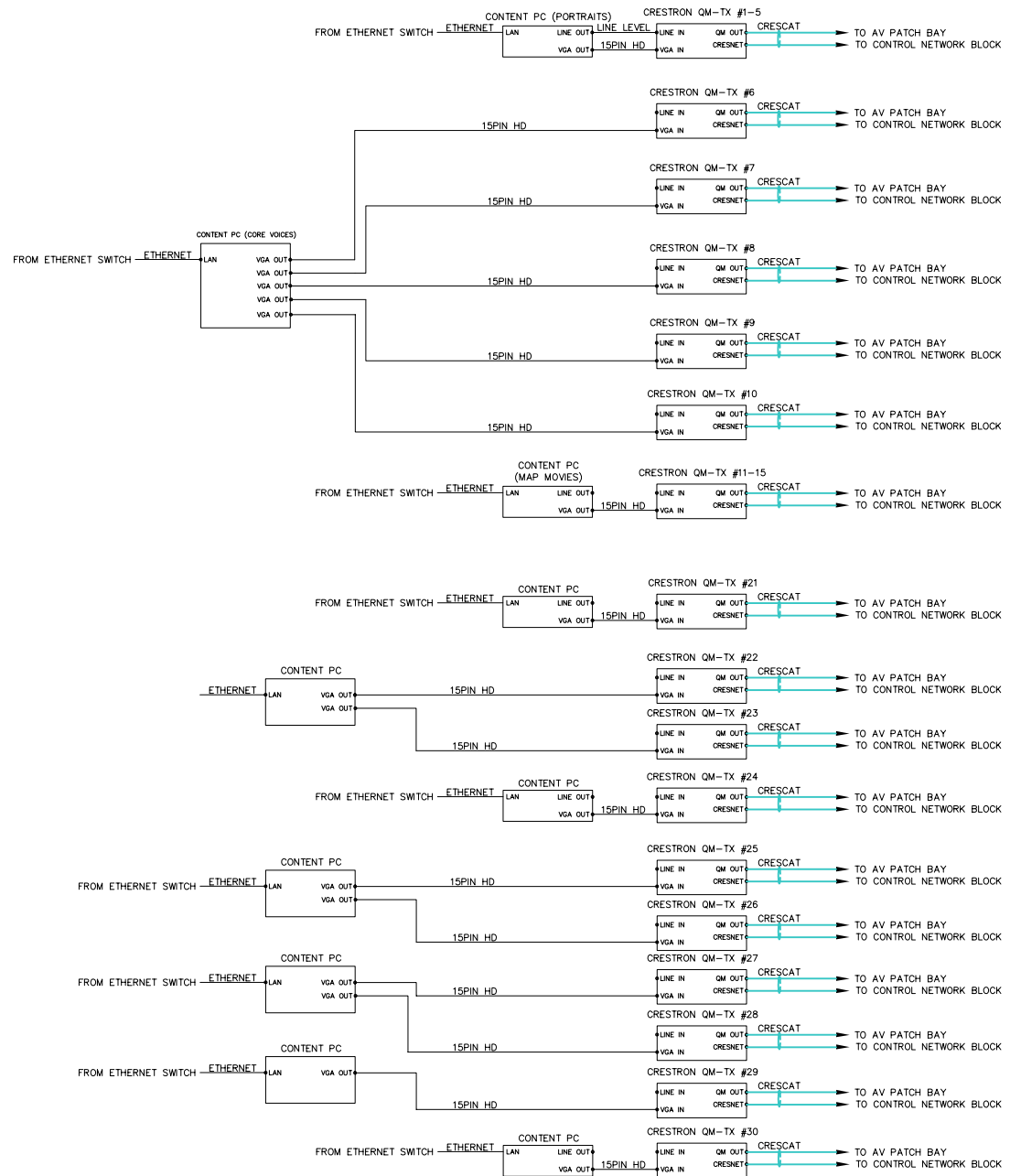




AV 312-A  
AUDIO VISUAL SIGNAL FLOW DETAIL  
MAIN CONTROL SYSTEM (PARTIAL)  
SCALE: NTS



AV 312-C  
AUDIO VISUAL SIGNAL FLOW DETAIL  
MAIN CONTROL SYSTEM (PARTIAL)  
SCALE: NTS



AV 312-B  
AUDIO VISUAL SIGNAL FLOW DETAIL  
MAIN CONTROL SYSTEM (PARTIAL)  
SCALE: NTS

Project: **MOCA**  
211-215 Centre Street NY, NY 10013

Structural Engineer  
**ROBERT SILMAN ASSOCIATED, P.C.**  
CONSULTING ENGINEERS  
88 University Place  
New York, NY 10003  
t: 212.620.7970  
f: 212.620.8157

Mechanical Engineer  
**KAM CHIU ASSOCIATES**  
54 Howard Street, 5th Floor  
New York, NY 10013  
t: 917.743.3267  
f: 718.648.8860

Exhibition Designer  
**MATTER**  
20 Jay Street, No. 302  
Brooklyn, NY 11201  
t: 718.855.2255  
f: 718.855.1040

Lighting Designer  
**BPI - BRANDSTON PARTNERSHIP INC.**  
122 West 26th Street, 5th Floor  
New York, NY 10001  
t: 212.924.4050  
f: 212.691.5418

Audio Visual Consultant

**imdgr**  
integrated media & design group

242 West 30th Street  
New York, NY 10001  
t: 212.931.5087  
www.imdgrp.com

Designer  
**MAYA LIN STUDIO**

112 Prince Street, 4th Floor  
New York, New York 10012  
t: 212.941.6463  
f: 212.941.6464

**BIALOSKY + PARTNERS**  
ARCHITECTS

394 Broadway Suite 208  
New York, New York 10013  
t: 212.941.1390  
f: 212.941.9995  
www.wbarchitect.com

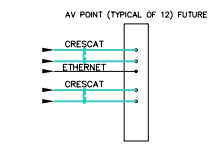
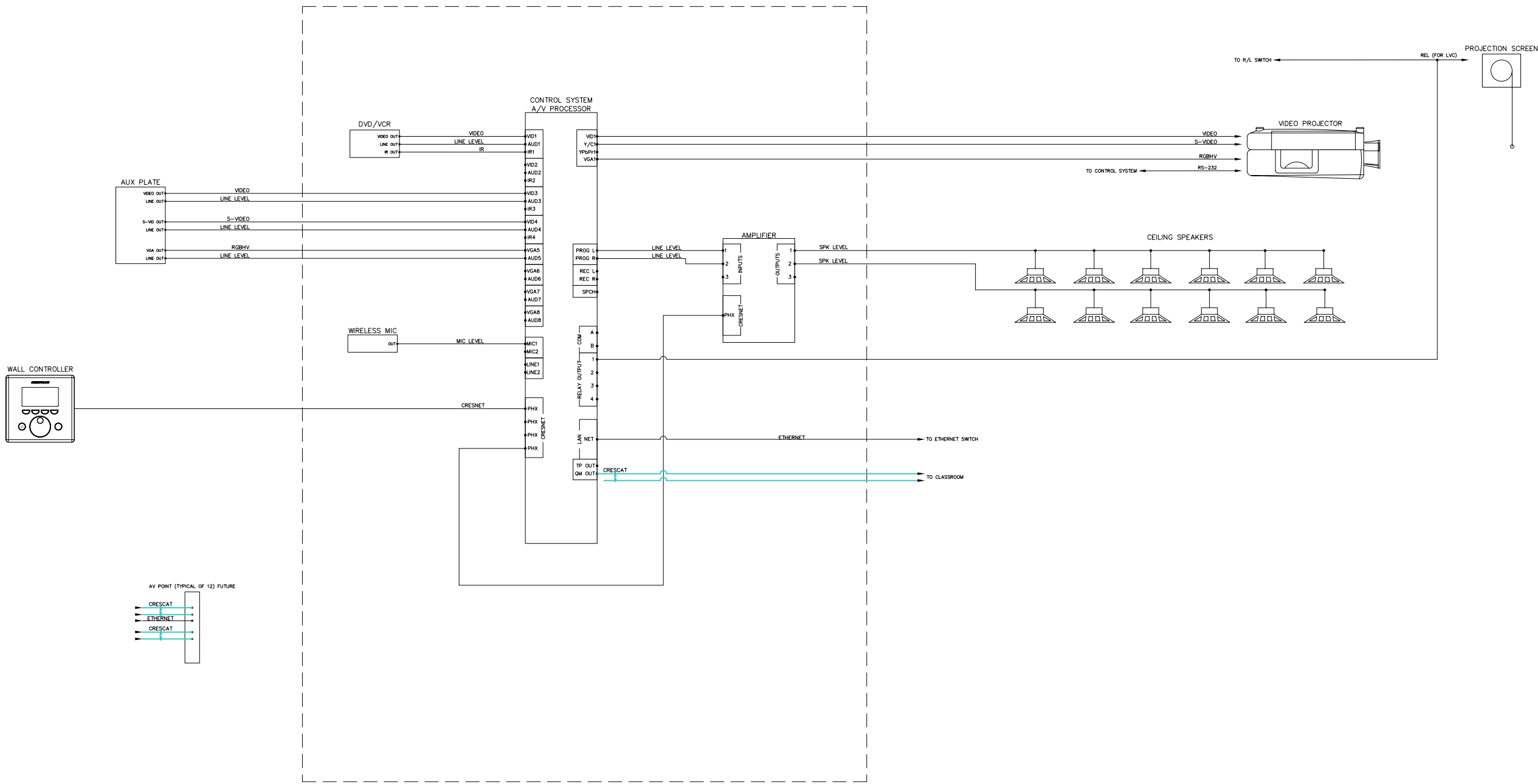
2775 S. Moreland Blvd.  
Cleveland, Ohio 44120  
t: 216.752.8750  
f: 216.752.9437  
www.bialosky.com

Project No: MOCA-01  
Drawn / Checked:

Issue: BID ISSUE 3.14.08

**MASTER CONTROL ROOM**  
**AV SIGNAL DIAGRAM**

**AV-312**



AUDIO VISUAL SIGNAL FLOW DETAIL  
 CHANGING EXHIBIT  
 AV-313  
 SCALE: NTS

Project:  
**MOCA**  
 211-215 Centre Street NY, NY 10013

Structural Engineer  
**ROBERT SILMAN ASSOCIATED, P.C.**  
 CONSULTING ENGINEERS  
 88 University Place  
 New York, NY 10003  
 t: 212.620.7970  
 f: 212.620.8157

Mechanical Engineer  
**KAM CHIU ASSOCIATES**  
 54 Howard Street, 5th Floor  
 New York, NY 10013  
 t: 917.743.3267  
 f: 718.648.8860

Exhibition Designer  
**MATTER**  
 20 Jay Street, No. 302  
 Brooklyn, NY 11201  
 t: 718.855.2255  
 f: 718.855.1040

Lighting Designer  
**BFI - BRANDSTON PARTNERSHIP INC.**  
 122 West 26th Street, 5th Floor  
 New York, NY 10001  
 t: 212.924.4050  
 f: 212.691.5418

Audio Visual Consultant  
**imdgr**  
 Integrated media & design group  
 242 West 30th Street  
 New York, NY 10001  
 t: 212.931.5087  
 www.imdgrp.com

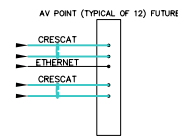
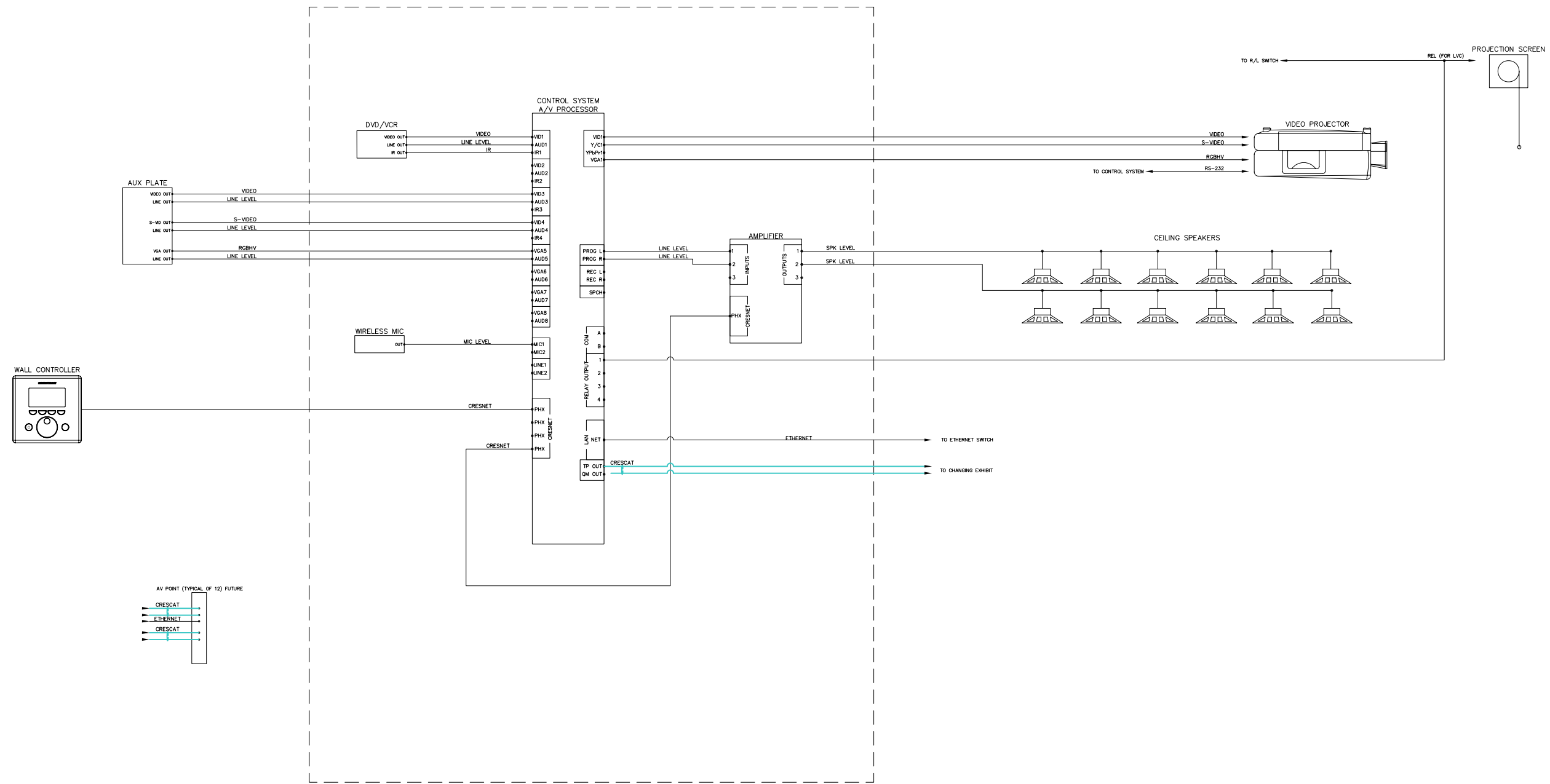
Designer  
**MAYA LIN STUDIO**  
 112 Prince Street, 4th Floor  
 New York, New York 10012  
 t: 212.941.6465  
 f: 212.941.6464

**BIALOSKY + PARTNERS**  
 ARCHITECTS  
 396 Broadway Suite 208  
 New York, New York 10013  
 t: 212.941.1390  
 f: 212.941.9995  
 www.wbarchitect.com  
 2775 S. Moreland Blvd.  
 Cleveland, Ohio 44120  
 t: 216.752.8750  
 f: 216.752.9437  
 www.bialosky.com

Project No: MOCA-01  
 Drawn / Checked:

Issue: BID ISSUE 3.14.08

CHANGING EXHIBIT  
 AV SIGNAL DIAGRAM  
**AV-313**



AUDIO VISUAL SIGNAL FLOW DETAIL  
PUBLIC CLASSROOM  
SCALE: NTS

Project: **MOCA**  
211-215 Centre Street NY, NY 10013

Structural Engineer  
**ROBERT SILMAN ASSOCIATED, P.C.**  
CONSULTING ENGINEERS  
88 University Place  
New York, NY 10003  
t: 212.620.7970  
f: 212.620.8157

Mechanical Engineer  
**KAM CHIU ASSOCIATES**  
54 Howard Street, 5th Floor  
New York, NY 10013  
t: 917.743.3267  
f: 718.648.8860

Exhibition Designer  
**MATTER**  
20 Jay Street, No. 302  
Brooklyn, NY 11201  
t: 718.855.2255  
f: 718.855.1040

Lighting Designer  
**BPI - BRANDSTON PARTNERSHIP INC.**  
122 West 26th Street, 5th Floor  
New York, NY 10001  
t: 212.924.4050  
f: 212.691.5418

Audio Visual Consultant  
**imdgr**  
Integrated media & design group  
242 West 30th Street  
New York, NY 10001  
t: 212.931.5087  
www.imdgrp.com

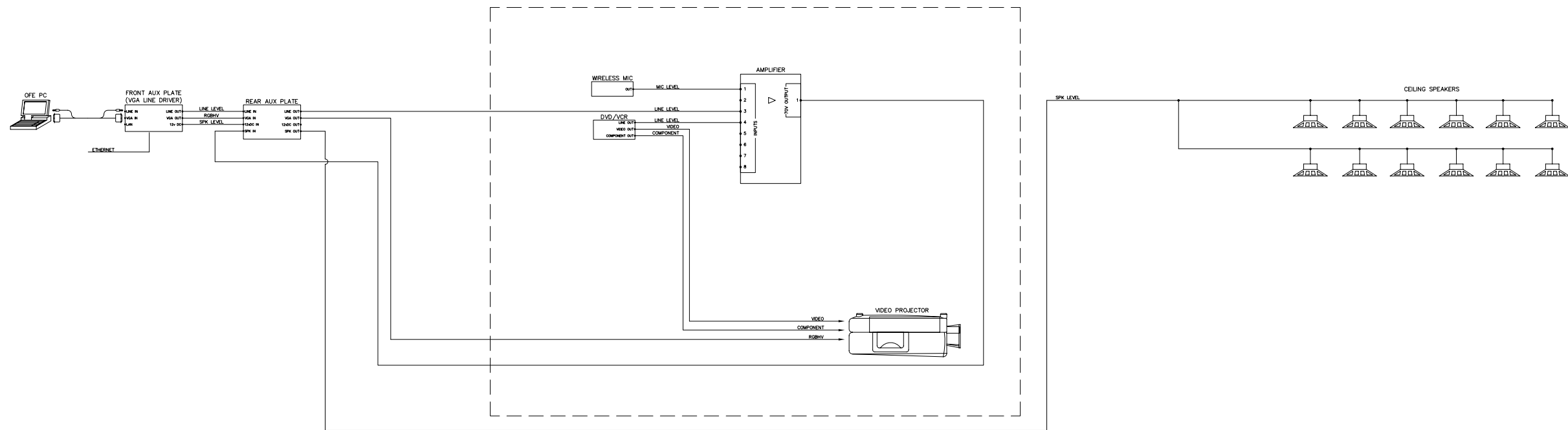
Designer  
**MAYA LIN STUDIO**  
112 Prince Street, 4th Floor  
New York, New York 10012  
t: 212.941.6483  
f: 212.941.6464

**BIALOSKY + PARTNERS**  
ARCHITECTS  
394 Broadway Suite 208  
New York, New York 10013  
t: 212.941.1390  
f: 212.941.9995  
www.wbarchitect.com  
2775 S. Moreland Blvd.  
Cleveland, Ohio 44120  
t: 216.752.8750  
f: 216.752.9437  
www.bialosky.com

Project No: MOCA-01  
Drawn / Checked:

Issue: BID ISSUE 3.14.08

**CLASSROOM**  
AV SIGNAL DIAGRAM  
**AV-314**



AUDIO VISUAL SIGNAL FLOW DETAIL  
DIVISIBLE MEETING ROOM (TYPICAL OF 2)  
AV-315  
SCALE: NTS

Structural Engineer  
**ROBERT SILMAN ASSOCIATED, P.C.**  
CONSULTING ENGINEERS  
88 University Place  
New York, NY 10003  
t: 212.620.7970  
f: 212.620.8157

Mechanical Engineer  
**KAM CHIU ASSOCIATES**  
54 Howard Street, 5th Floor  
New York, NY 10013  
t: 917.743.3267  
f: 718.648.8860

Exhibition Designer  
**MATTER**  
20 Jay Street, No. 302  
Brooklyn, NY 11201  
t: 718.855.2255  
f: 718.855.1040

Lighting Designer  
**BPI - BRANDSTON PARTNERSHIP INC.**  
122 West 26th Street, 5th Floor  
New York, NY 10001  
t: 212.924.4050  
f: 212.691.5418

Audio Visual Consultant



242 West 30th Street  
New York, NY 10001  
t: 212.931.5087  
www.Imdgrp.com

Designer  
**MAYA LIN STUDIO**

112 Prince Street, 4th Floor  
New York, New York 10012  
t: 212.941.6463  
f: 212.941.6464

**BIALOSKY + PARTNERS**  
ARCHITECTS

394 Broadway Suite 208  
New York, New York 10013  
t: 212.941.1390  
f: 212.941.9995  
www.wbarchitect.com

2775 S. Moreland Blvd.  
Cleveland, Ohio 44120  
t: 216.752.8750  
f: 216.752.9437  
www.bialosky.com

Project No: MOCA-01  
Drawn / Checked:

Issue: BID ISSUE 3.14.08

**DIVISIBLE MEETING RM.**  
**AV SIGNAL DIAGRAM**

**AV-315**

Structural Engineer  
**ROBERT SILMAN ASSOCIATED, P.C. CONSULTING ENGINEERS**  
88 University Place  
New York, NY 10003  
t: 212.620.7970  
f: 212.620.8157

Mechanical Engineer  
**KAM CHIU ASSOCIATES**  
54 Howard Street, 5th Floor  
New York, NY 10013  
t: 917.743.3267  
f: 718.648.8860

Exhibition Designer  
**MATTER**  
20 Jay Street, No. 302  
Brooklyn, NY 11201  
t: 718.855.2255  
f: 718.855.1040

Lighting Designer  
**BPI - BRANDSTON PARTNERSHIP INC.**  
122 West 26th Street, 5th Floor  
New York, NY 10001  
t: 212.924.4050  
f: 212.691.5418

Audio Visual Consultant



Integrated media & design group  
242 West 30th Street  
New York, NY 10001  
t: 212.931.5087  
www.imdgrp.com

Designer  
**MAYA LIN STUDIO**

112 Prince Street, 4th Floor  
New York, New York 10012  
t: 212.941.6463  
f: 212.941.6464

**BIALOSKY + PARTNERS**  
ARCHITECTS

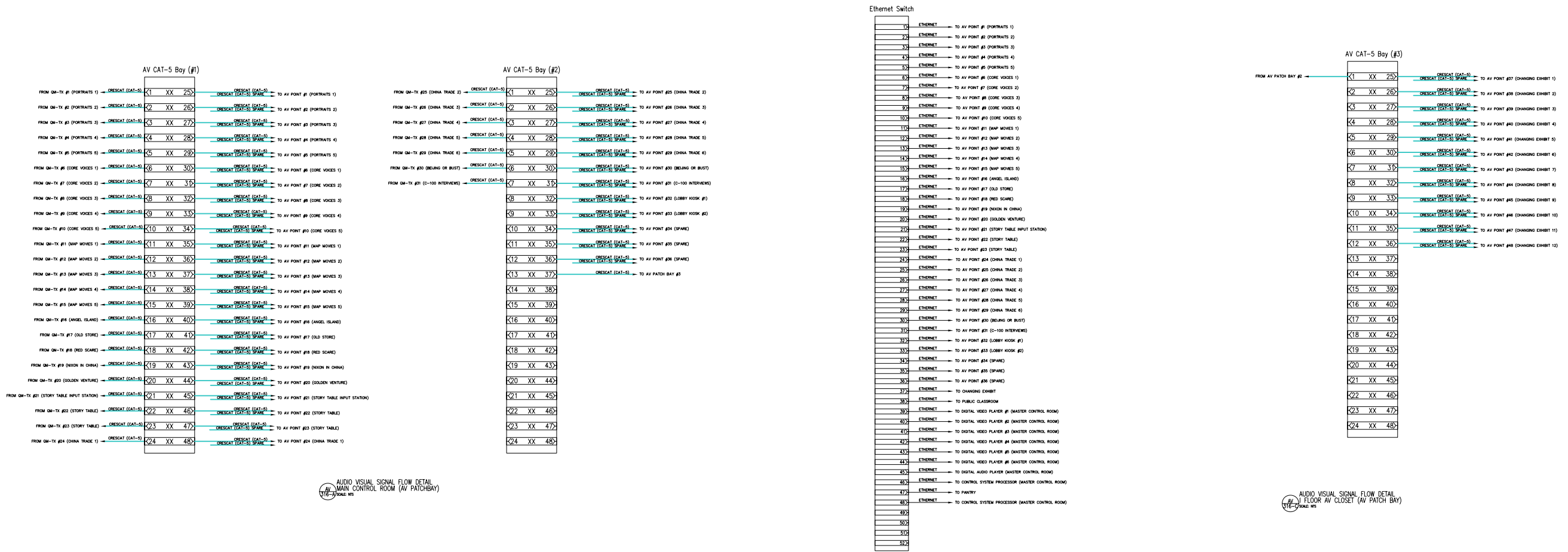
394 Broadway Suite 208  
New York, New York 10013  
t: 212.941.1390  
f: 212.941.9995  
www.wbarchitect.com

2775 S. Moreland Blvd.  
Cleveland, Ohio 44120  
t: 216.752.8750  
f: 216.752.9437  
www.bialosky.com

Project No: MOCA-01  
Drawn / Checked:

Issuer: BID ISSUE 3.14.08

AV PATCH BAY/SWITCH  
AV SIGNAL DIAGRAM  
**AV-316**



AUDIO VISUAL SIGNAL FLOW DETAIL AV MAIN CONTROL ROOM (AV ETHERNET SWITCH)